

44000 Tube Mount Series



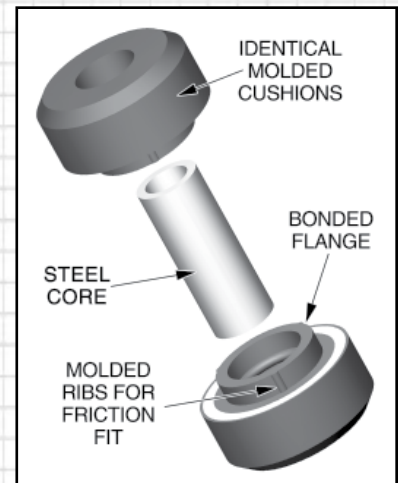
DESCRIPTION & CHARACTERISTICS:

Rugged, low profile, high capacity mounts for vibration and shock protection. Recommended for use with off-road equipment, trucks, construction equipment and power generation equipment.

- Uses the same installation hardware as the 22000 series mounts.
- Available in a full range of load ratings and sizes.
- Symmetrical design prevents installation error.
- Axial-to-Radial stiffness 4:1.
- Available in Neoprene or Natural Rubber for most environments.
- Fail-safe when used with snubbing washer.

BARRY CONTROLS 44000 TUBE MOUNT ADVANTAGES:

- Improved durability and service life.
- Integrated metal flanges enable faster installation and provide lower cost because the mounting hole does not require deburring or chamfering.
- Accommodates alternative support plate thicknesses by varying tube length (Contact Barry Engineering for specifics on this feature).
- Parts are color coded for ease of identification.



ENVIRONMENTAL DATA:

- Neoprene elastomer has an operating temperature range of -20° F to +180° F (-30 C to +82° C) and is resistant to oils, most solvents and ozone.
- Natural rubber has an operating temperature range of -40° F to +180° F (-40 C to +82° C)
- Special elastomers and finishes are available for applications in severe environments.