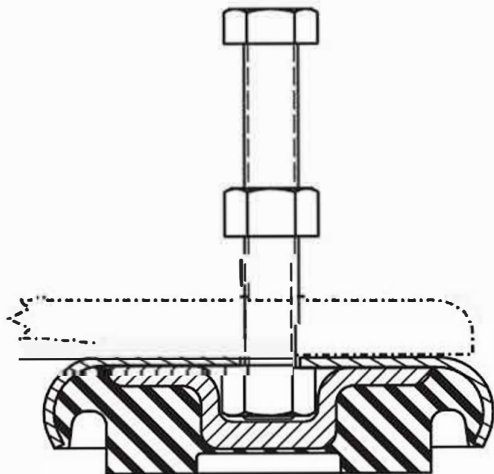


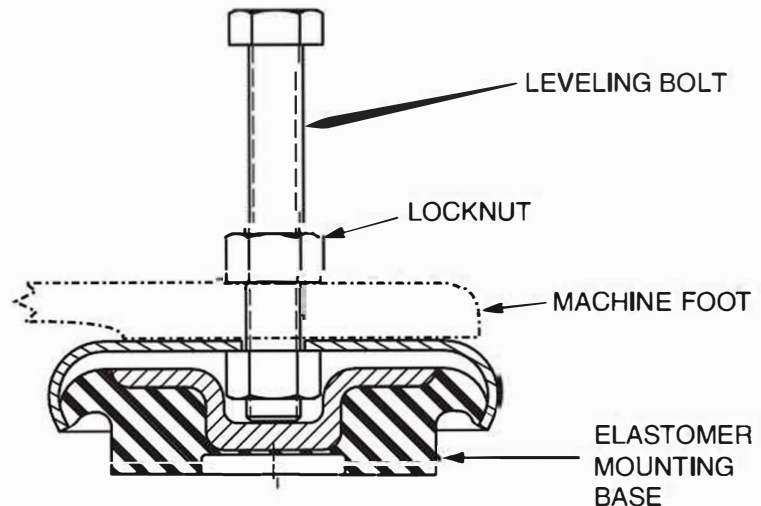
BARRYMOUNT®

INSTALLATION INSTRUCTIONS

Before Leveling



After Leveling



To Install Barrymounts

1. Lift machine enough to slide Barrymount under foot.
2. Insert bolt through clearance hole in foot and engage threads in mount.
3. Lower machine onto mountings.
4. Turn bolt until in bottoms.

To Level Barrymounts

1. Turn leveling bolts just enough to level machine.
2. Tighten down lock nut.

IMPORTANT: Maximum adjustment $\frac{3}{4}$ inch. DO NOT EXCEED THIS AMOUNT.
If additional height is required use blocks.

Before installing Barrymounts be sure the mounts are the right ones for your machine.

BARRYMOUNTS are available in whatever load rating your particular machines require. Specially-trained field engineers will gladly give you help in solving your shock and vibration problems.