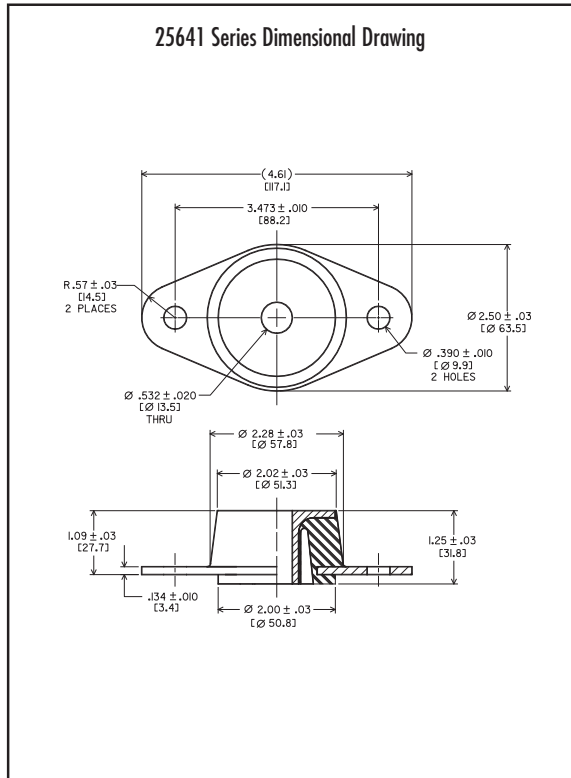


# HR MOUNT SERIES: 25641

## Dimensions & Performance Characteristics



**AXIAL STATIC LOAD RANGE - 25641**

Code	Nominal	Color Code
-2	100 lbs.	Red
-4	155 lbs.	White
-6	230 lbs.	Blue
-8	320 lbs.	Purple
-10	420 lbs.	Gray

