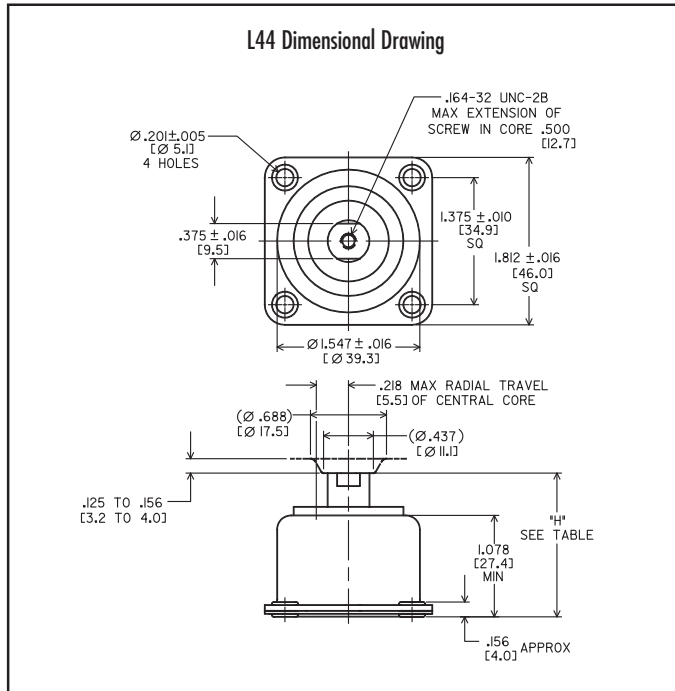


L-MOUNT SERIES: L44

Dimensions & Performance Characteristics



L44 MOUNT	L44-AA	L44-BA
HEIGHT OF ALUMINUM CORE (Inches) ("H")		
Compressed (min.)	.975	1.131
Under min. load (approx.)	1.375	1.562
Extended (max.)	1.632	1.788

