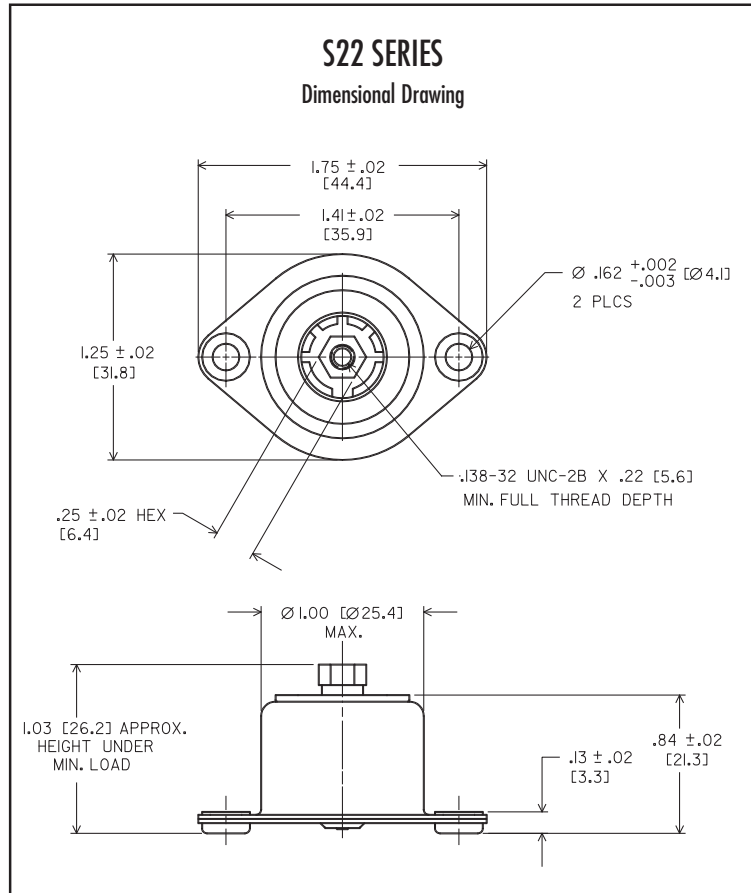


S-MOUNT SERIES: S22

Dimensions



S22 LOAD RANGES	
Part #	Static Load Range / Isolator (lbs.)
S22-AA-0.5	0.3 - 0.5
S22-AA-0.8	0.5 - 0.8
S22-AA-1.1	0.6 - 1.1
S22-AA-1.5	0.9 - 1.5
S22-AA-2.2	1.3 - 2.2
S22-AA-3.0	2.2 - 3.0

