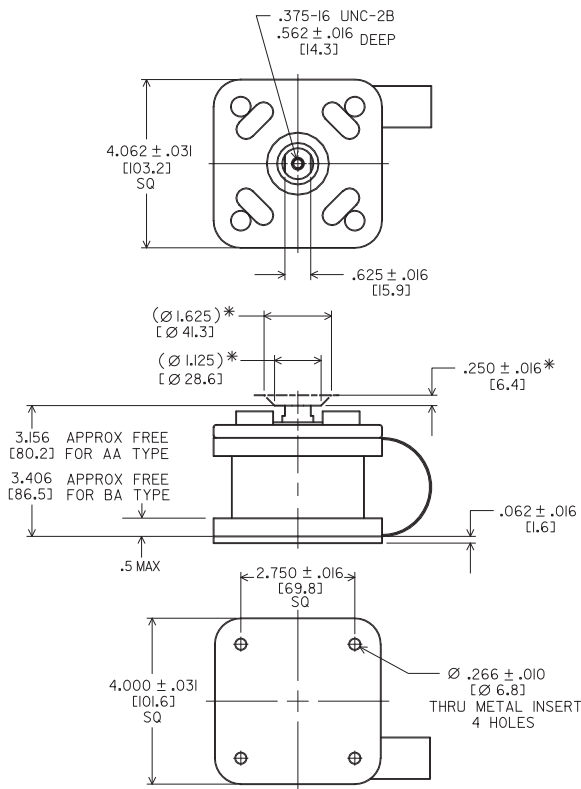


# 2K SERIES: 2K2

## Dimensions & Performance Characteristics

2K2 Series Mounts = 1.6 lbs.

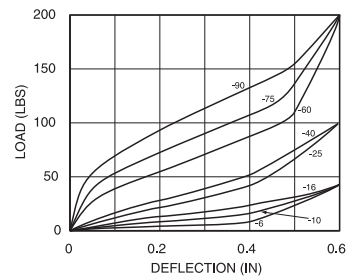


\* PLEASE NOTE: On 2K1 and 2K2 Isolators, -AA part number indicates a short core for use with dimpled mounting trays. -BA part number indicates a long core for attachment directly to equipment.

### 2K2 LOAD RATINGS

PART #	STATIC LOAD RANGE /ISOLATOR (LBS.)
2K2-AA-6 & BA-6	4-6
2K2-AA-10 & BA-10	6-10
2K2-AA-16 & BA-16	10-16
2K2-AA-25 & BA-25	16-25
2K2-AA-40 & BA-40	25-40
2K2-AA-60 & BA-60	40-60
2K2-AA-75 & BA-75	60-75
2K2-AA-90 & BA-90	75-90

### 2K2 Load vs. Deflection (0 to .6 inches)



### 2K2 Load vs. Deflection (0.6 to 1.4 inches)

