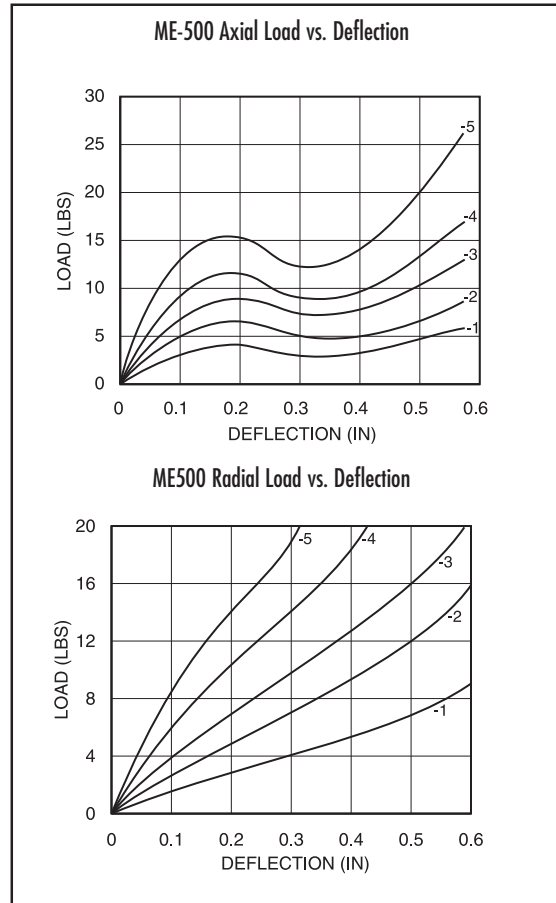
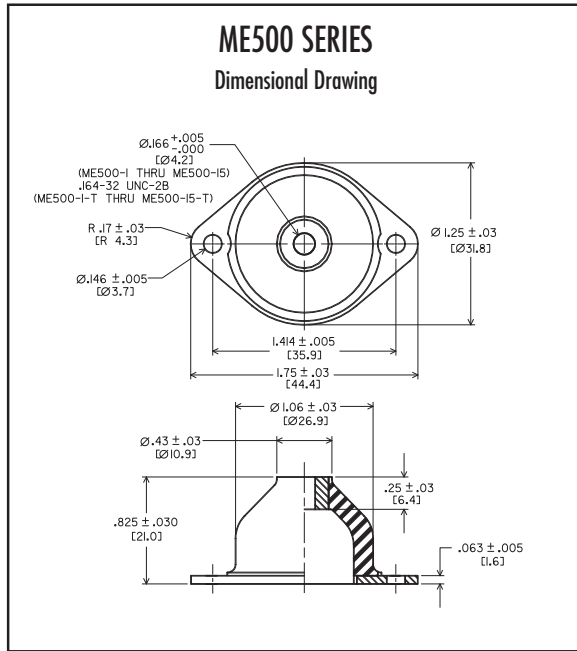


ME500 MOUNT SERIES:

Performance Characteristics



ME500 SERIES LOAD RATINGS				
Part #	Maximum Load (lbs.)		Axial Natural Frequency	Color Code
	Axial Compression	Radial		
ME500-1	2.00	0.75	12 Hz	Blue
ME500-2	3.00	1.50	12 Hz	Red
ME500-3	5.00	2.25	12 Hz	Green
ME500-4	7.50	4.00	12 Hz	Yellow
ME500-5	10.00	5.50	12 Hz	White