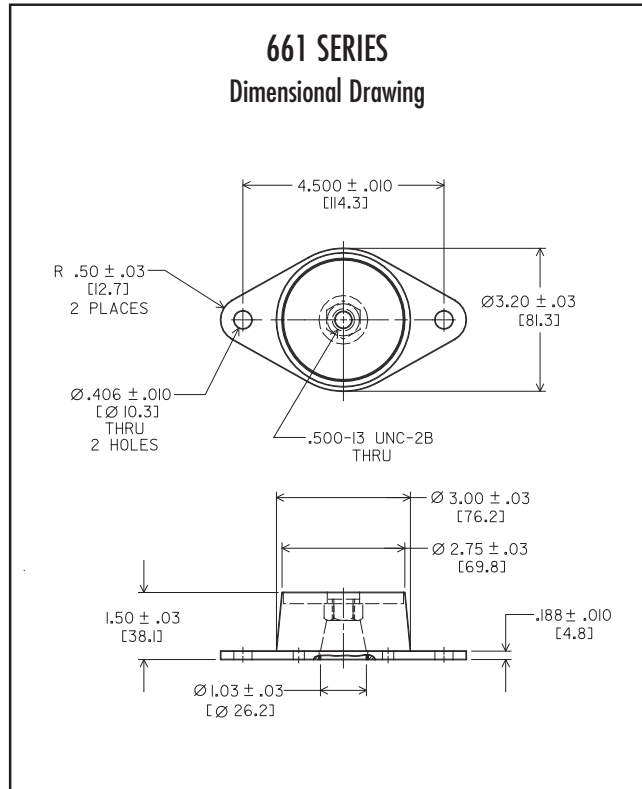


MACHINERY MOUNT SERIES: 661 SERIES

Dimensions & Performance Characteristics



661 SERIES LOAD RANGE DATA	
Part #	Maximum Static Load/Isolator (lbs.)
661-30	300
661-45	450
661-55	550
661-70	700

