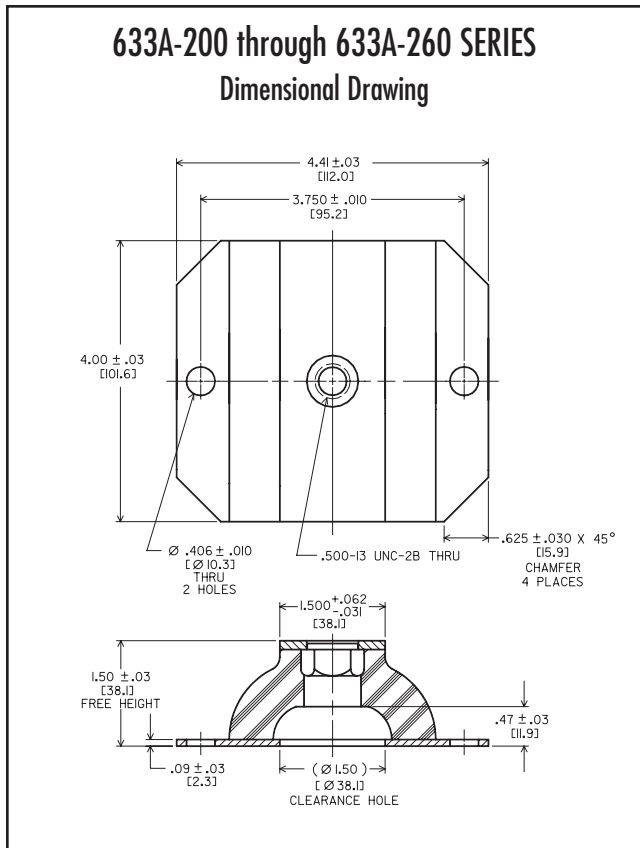


633A SERIES: 633A-260

Dimensions & Performance Characteristics



| 633A SERIES LOAD RANGES | |
|-------------------------|-------------------------------------|
| Part # | Maximum Static Load/Isolator (lbs.) |
| 633A-200 | 200 |
| 633A-260 | 260 |

NOTE: For stainless steel applications please add "SS" to part number. Example:
For Stainless Steel 633A-200 order as part number 633A-SS200

