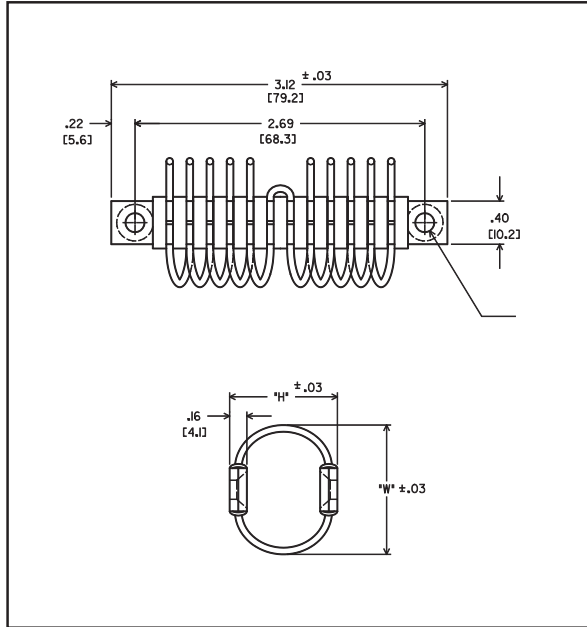


# CABLEMOUNT MOUNT SERIES: CM00628

## Dimensions & Load Ratings



SUFFIX	MOUNTING HOLE CONFIGURATION
NONE	Standard Configuration as shown in drawing
- A	8-32 Threaded inserts in both retaining bars
- B	8-32 Threaded inserts in one retaining bar and standard configuration as shown in drawing in other retaining bar
- C	M4 x .7 Threaded inserts in both retaining bars
- D	M4 x .7 Threaded inserts in one retaining bar and standard configuration as shown in drawing in other retaining bar w/90° countersink
- E	Standard configuration as shown in drawing w/ 90° countersink

PART #	DIMENSIONS		COMPRESSION		SHEAR		ROLL		45° COMP/ROLL	
	H	W	Load Rating	Max. Deflection	Load Rating	Max. Deflection	Load Rating	Max. Deflection	Load Rating	Max. Deflection
CM00628-1	.70	1.00	14.0	.3	7.0	.3	6.5	.3	7.5	.7
CM00628-2	.80	1.10	8.5	.4	3.5	.4	3.5	.4	4.2	.7
CM00628-3	1.00	1.20	5.2	.5	1.6	.6	1.6	.6	3.4	.8
CM00628-4	1.10	1.30	4.8	.7	1.4	.7	1.4	.7	2.5	.9
CM00628-5	1.20	1.40	2.9	.8	1.3	.9	1.3	.9	1.9	.9
CM00628-6	1.30	1.50	2.5	.9	.7	.9	.7	.9	1.5	1.1

Natural Frequency at rated load = approx. 10 Hertz