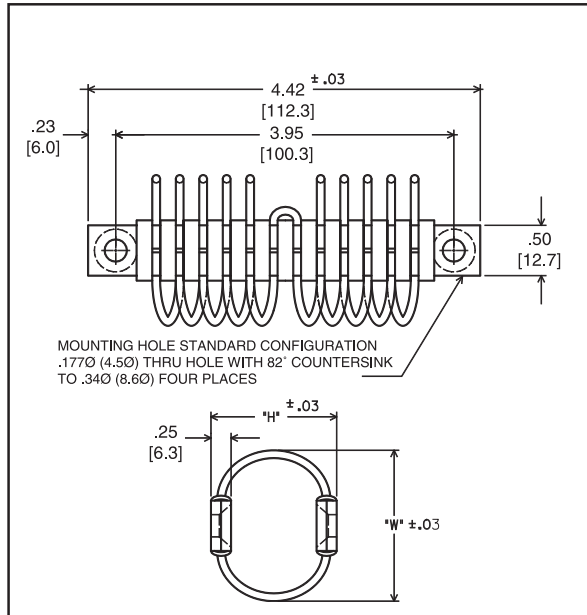


CABLEMOUNT MOUNT SERIES: CM00938

Dimensions & Load Ratings



SUFFIX	MOUNTING HOLE CONFIGURATION
NONE	Standard Configuration as shown in drawing
- A	10-32 Threaded inserts in both retaining bars
- B	10-32 Threaded inserts in one retaining bar and standard configuration as shown in drawing in other retaining bar
- C	M5 x .8 Threaded inserts in both retaining bars
- D	M5 x .8 Threaded inserts in one retaining bar and standard configuration as shown in drawing in other retaining bar w/90° countersink
- E	Standard configuration as shown in drawing w/ 90° countersink

PART #	DIMENSIONS		COMPRESSION		SHEAR		ROLL		45° COMP/ROLL	
	H	W	Load Rating	Max. Deflection	Load Rating	Max. Deflection	Load Rating	Max. Deflection	Load Rating	Max. Deflection
CM00938-1	.90	1.10	50.0	.3	23.0	.4	15.0	.4	28.0	.8
CM00938-2	1.00	1.20	31.0	.3	10.0	.5	10.0	.5	19.0	.9
CM00938-3	1.10	1.30	25.0	.4	6.5	.5	6.5	.5	14.5	.9
CM00938-4	1.30	1.50	12.0	.5	4.0	.6	4.0	.6	9.0	.9
CM00938-5	1.40	1.60	9.5	.6	3.0	.7	3.0	.7	6.0	1.1
CM00938-6	1.50	1.70	7.5	.7	2.5	.8	2.5	.8	5.0	1.5

Natural Frequency at rated load = approx. 10 Hertz