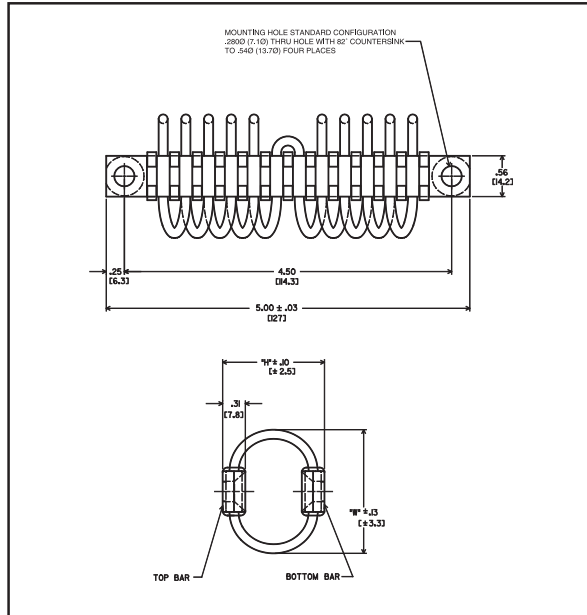


CABLEMOUNT MOUNT SERIES: CM01258

Dimensions & Load Ratings



SUFFIX	MOUNTING HOLE CONFIGURATION
NONE	Standard Configuration as shown in drawing
- A	1/4 -20 Threaded inserts in both retaining bars
- B	1/4 -20 Threaded inserts in one retaining bar and standard configuration as shown in drawing in other retaining bar
- C	M6 x 1.0 Threaded inserts in both retaining bars
- D	M6 x 1.0 Threaded inserts in one retaining bar and standard configuration as shown in drawing in other retaining bar w/90° countersink
- E	Standard configuration as shown in drawing w/ 90° countersink

PART #	DIMENSIONS		COMPRESSION		SHEAR		ROLL		45° COMP/ROLL	
	H	W	Load Rating	Max. Deflection	Load Rating	Max. Deflection	Load Rating	Max. Deflection	Load Rating	Max. Deflection
CM01258-1	1.10	1.40	75.0	.2	30.0	.4	28.0	.4	55.0	.9
CM01258-2	1.20	1.50	68.0	.4	21.0	.6	24.0	.6	43.0	.9
CM01258-3	1.30	1.60	50.0	.5	19.0	.7	19.0	.7	33.5	1.0
CM01258-4	1.40	1.70	44.0	.7	13.0	.8	13.0	.8	25.0	1.1
CM01258-5	1.50	1.80	34.0	.7	12.0	.9	12.0	.9	21.0	1.2
CM01258-6	1.60	1.90	33.0	.7	10.0	.9	10.0	.9	19.0	1.5

Natural Frequency at rated load = approx. 10 Hertz