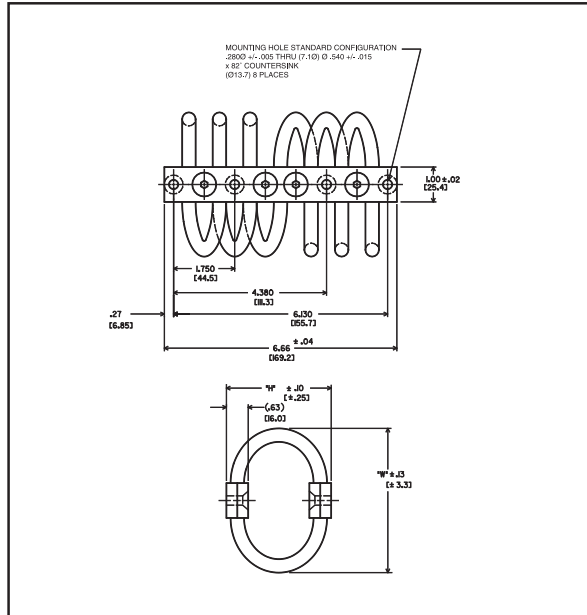


CABLEMOUNT MOUNT SERIES: CM03756

Dimensions & Load Ratings



SUFFIX	MOUNTING HOLE CONFIGURATION
NONE	Standard Configuration as shown in drawing
- A	1/4 - 28 Threaded inserts in both retaining bars
- B	1/4 - 28 Threaded inserts in one retaining bar and standard configuration as shown in drawing in other retaining bar
- C	M6 x 1.0 Threaded inserts in both retaining bars
- D	M6 x 1.0 Threaded inserts in one retaining bar and standard configuration as shown in drawing in other retaining bar w/90° countersink
- E	Standard configuration as shown in drawing w/90° countersink

PART #	DIMENSIONS		COMPRESSION		SHEAR		ROLL		45° COMP/ROLL	
	H	W	Load Rating	Max. Deflection	Load Rating	Max. Deflection	Load Rating	Max. Deflection	Load Rating	Max. Deflection
CM03756-1	2.80	3.31	263	1.0	113	1.0	80	1.0	195	1.5
CM03756-2	2.90	3.50	244	1.1	48	1.1	66	1.1	180	2.0
CM03756-3	3.00	4.13	150	1.3	43	1.5	52	1.5	100	2.3
CM03756-4	3.25	4.25	131	1.5	29	1.6	44	1.6	90	2.8
CM03756-5	3.50	4.50	104	1.8	25	1.7	24	1.7	56	3.5
CM03756-6	4.13	4.75	94	2.0	23	2.0	21	2.0	52	4.0
CM03756-7	4.25	5.50	56	2.2	14	2.2	17	2.2	30	4.5

Natural Frequency at rated load = approx. 10 Hertz