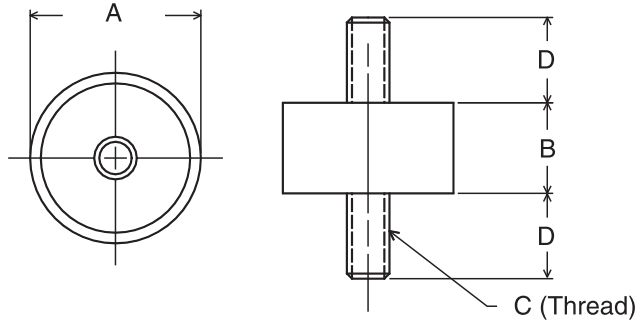


# CYLINDRICAL STUD MOUNTS: DOUBLE STUD (MALE/MALE) SERIES

## Dimensions

Double Stud (Male/Male) Series  
Dimensional Drawing (Inches)



Part #	A	B	C	D	Compression		Shear		Material
					Max. Load (lbs.)	Natural Frequency (Hz)	Max. Load (lbs.)	Natural Frequency (Hz)	
A76-041	0.250	0.280	#4-40	0.190	1.0	9.0	2.0	8.0	Natural Rubber
A88-041	0.375	0.625	#8-32	0.375	2.0	20.0	5.0	18.0	Natural Rubber
A00-051	0.438	0.500	#8-32	0.375	10.3	14.0	5.5	10.0	Natural Rubber
A00-031	0.438	0.500	#8-32	0.375	4.8	14.0	2.5	9.0	Natural Rubber
A07-041	0.438	0.438	#6-32	0.250	4.0	13.5	1.0	12.0	Natural Rubber
A07-042	0.438	0.438	#8-32	0.250	4.0	13.5	1.0	12.0	Natural Rubber
A10-041	0.563	0.500	#8-32	0.375	14.0	12.5	7.0	11.0	Natural Rubber
A10-042	0.563	0.500	#10-32	0.375	14.0	12.5	7.0	11.0	Natural Rubber
A98-041	0.750	0.625	#10-32	0.375	18.0	11.0	3.0	9.5	Natural Rubber
A25-041	1.000	0.250	0.250-20	0.500	60.0	25.0	15.0	28.0	Natural Rubber
A20-041	1.000	0.500	0.250-20	0.750	60.0	14.0	20.0	10.0	Natural Rubber
A21-141	1.000	0.531	0.250-20	0.500	55.0	13.0	23.0	7.5	Neoprene
A22-172	1.000	0.750	0.250-20	0.625	90.0	14.0	50.0	10.0	Neoprene
A22-041	1.000	0.750	0.250-20	0.750	40.0	11.0	10.0	13.0	Natural Rubber
A22-141	1.000	0.750	0.250-20	0.500	50.0	10.0	14.0	7.5	Neoprene
A22-131	1.000	0.750	0.250-20	0.500	44.0	10.0	11.5	7.5	Neoprene
A22-062	1.000	0.750	0.312-18	0.750	70.0	12.0	35.0	10.0	Natural Rubber
A22-142	1.000	0.750	0.312-18	0.562	50.0	10.0	14.0	7.5	Neoprene
A22-053	1.000	0.750	6mm	0.500	60.0	10.0	33.0	8.0	Natural Rubber
A23-042	1.000	1.000	0.250-20	0.750	35.0	9.0	8.0	8.0	Natural Rubber
A23-041	1.000	1.000	0.312-18	0.625	35.0	9.0	8.0	8.0	Natural Rubber
A23-141	1.000	1.000	0.312-18	0.562	35.0	10.0	12.0	7.5	Neoprene
A32-151	1.250	0.750	0.312-18	0.562	98.0	10.0	31.0	7.5	Neoprene
A34-141	1.250	1.250	0.312-18	0.562	76.0	10.0	13.5	7.5	Neoprene
A43-042	1.375	1.000	0.375-16	0.750	70.0	12.0	40.0	9.0	Natural Rubber
A43-151	1.375	1.000	0.312-18	0.562	96.0	10.0	32.0	7.5	Neoprene
A53-061	1.500	1.000	0.375-16	1.000	150.0	9.0	40.0	6.5	Natural Rubber