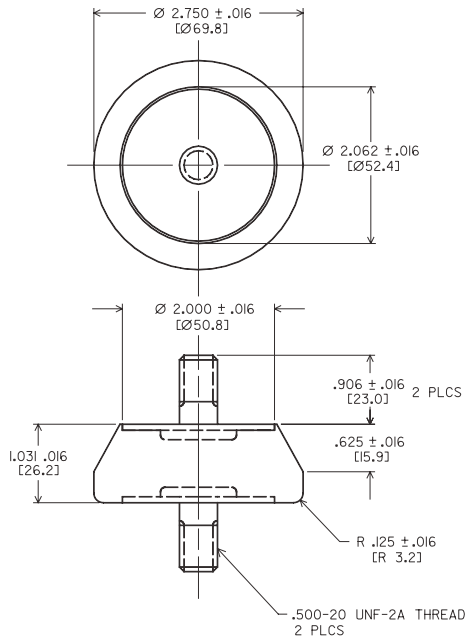


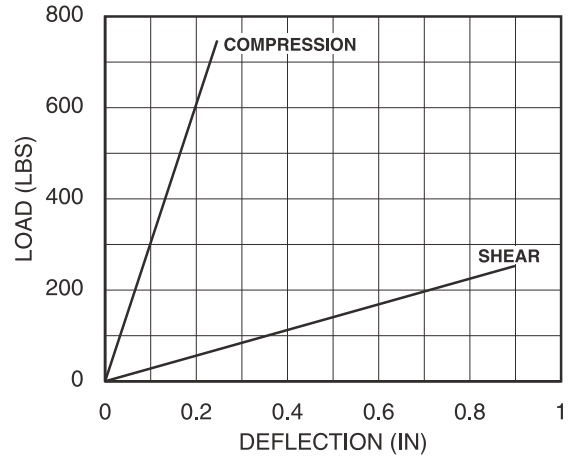
# (MALE/MALE) SERIES (G05-141)

## Dimensions & Performance Characteristics

### G05-141 CYLINDRICAL STUD MOUNT Dimensional Drawing



### G05-141 Load vs Deflection



Static Load (lbs.)	Natural Frequency (Hertz)
<b>IN SHEAR</b>	
70.0	6.0
60.0	7.5
45.0	8.0
35.0	10.0
30.0	12.0
19.0	13.0
17.0	17.0
9.0	20.0
<b>IN COMPRESSION</b>	
260.0	10.0
190.0	12.0
140.0	13.0
90.0	17.0
60.0	20.0
24.0	30.0