

# 633A MOUNT SERIES

Low-profile, low frequency elastomeric noise and vibration isolators for medium weight industrial equipment.

## APPLICATIONS

- Industrial equipment, tools and machinery
- Generators
- Pumps & blowers
- HVAC equipment
- Chillers

## FEATURES

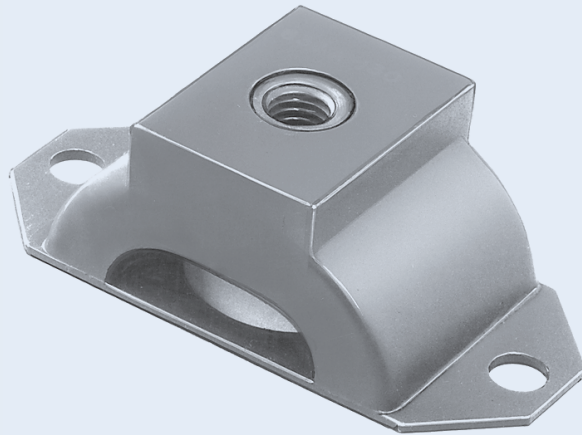
- Effectively isolate disturbing frequencies as low as 900 rpm (15 Hz)
- Cold-rolled steel construction
- Optional stainless steel version available upon request for highly corrosive and marine applications
- Elastomer in shear design
- Compressive to shear stiffness of 2.5:1

## BENEFITS

- Effectively interrupts noise transmission paths to prevent sounding board amplification
- Extends machinery life
- Resistant to oils, most solvents and ozone
- Provides up to 90% isolation efficiency at 1,500 rpm (25 Hz)

## LOAD RANGE

- 5 load ratings up to 260 lbs. per mount



Barry 633A Series Mounts are medium weight mounts normally used for vertically applied loads to prevent transmission of noise and vibration caused by rotation of imbalanced equipment (i.e. generators, blowers, pumps, etc...)

## Specifications

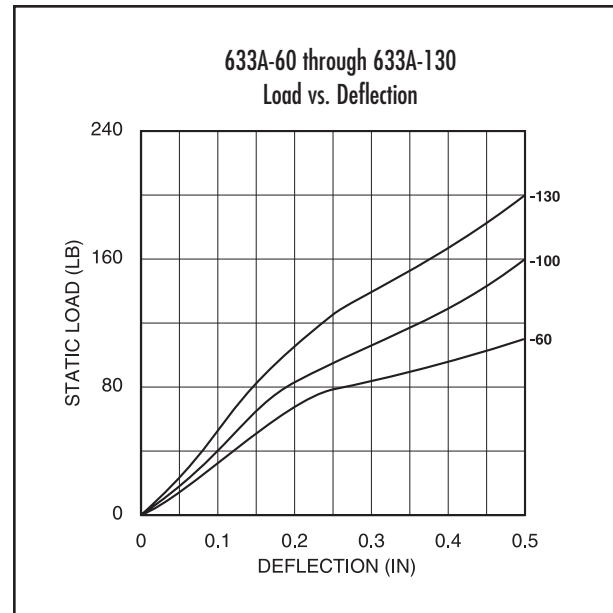
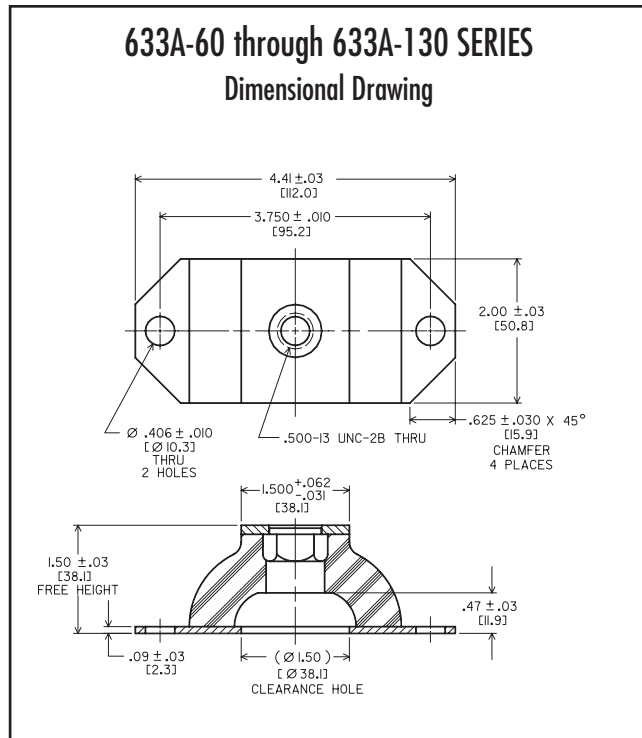
|                                 |  |
|---------------------------------|--|
| • Natural Frequency             | 8 Hertz  |
| • Transmissibility at resonance | 8:1  |
| • Resilient Element             | Neoprene   |
| • Standard Materials            | Cold Rolled Steel or Stainless Steel                     |
| • Weight                        | 633A-60 through 130 = 7 oz.<br>633A-200 and 260 = 16 oz. |

## Environmental Data

- Neoprene elastomer has an operating temperature range of -20°F to +180°F (-30°C to +82°C) and is resistant to oils, most solvents and ozone.
- Stainless Steel version is corrosion resistant for marine applications.

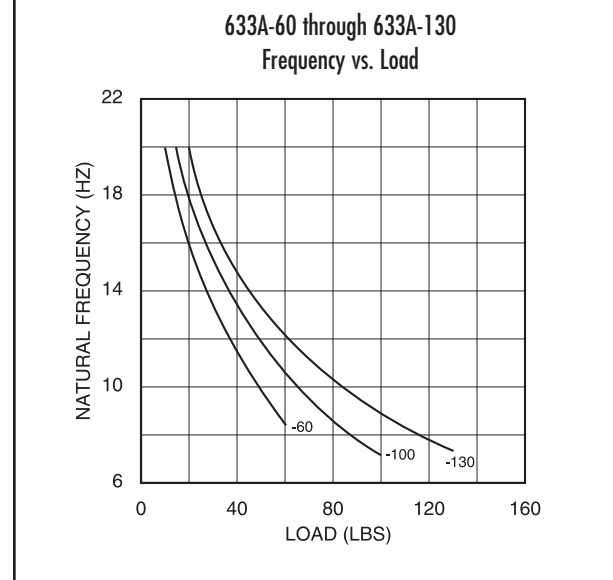
# 633A SERIES: 633A-60 THROUGH 633A-130

## Dimensions & Performance Characteristics



**633A SERIES LOAD RANGES**

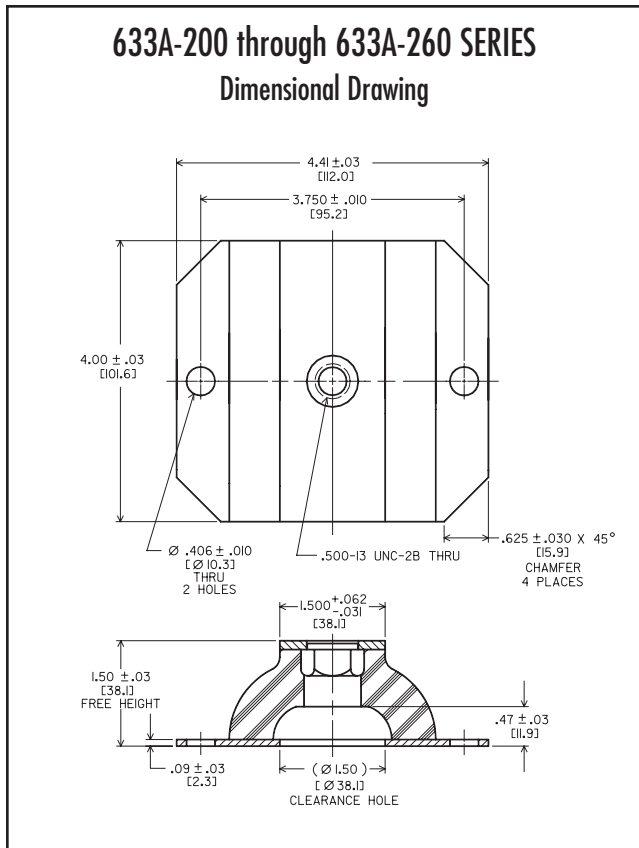
| Part #   | Maximum Static Load/Isolator (lbs.) |
|----------|-------------------------------------|
| 633A-60  | 60                                  |
| 633A-100 | 100                                 |
| 633A-130 | 130                                 |



**NOTE:** For stainless steel applications please add "SS" to part number. Example:  
 For Stainless Steel 633A-60 order as part number 633A-SS60

# 633A SERIES: 633A-260

## Dimensions & Performance Characteristics



| 633A SERIES LOAD RANGES |                                     |
|-------------------------|-------------------------------------|
| Part #                  | Maximum Static Load/Isolator (lbs.) |
| 633A-200                | 200                                 |
| 633A-260                | 260                                 |

**NOTE:** For stainless steel applications please add "SS" to part number. Example:  
For Stainless Steel 633A-200 order as part number 633A-SS200

