

# 990/915 MOUNT SERIES

Low-frequency, captive, industrial-type mounts for vibration and structure-borne noise isolation

## APPLICATIONS

- Phonographic Equipment
- Light motors (Fractional HP)
- Scales
- Cameras
- Optical Equipment
- Vacuum Pumps

## FEATURES

- Captive, fail-safe design
- Natural rubber elements
- Meet MIL standards
- Eyelet reinforced mounting holes

## BENEFITS

- Reduce installation costs
- No special foundations required
- Isolate shock & vibration and reduce structure-borne noise
- Minimize sounding board effects
- Reduce maintenance costs

## LOAD RANGE

- 990 = 7 sizes with load ratings from 1.8 - 30 lbs. per isolator
- 915 = 6 sizes with load ratings from 15 - 200 lbs. per isolator



990 and 915 mounts are for applications under light to medium weight industrial machinery requiring noise, shock and vibration isolation and are ideal for applications where structure-borne noise and sounding board effects must be minimized.

## Specifications

• Natural Frequency	10 Hertz
• Transmissibility at resonance	8:1
• Resilient Element	Natural Rubber (Standard)
• Standard Materials	Zinc-Plated Cold Rolled Steel
• Weight	5.3 oz.

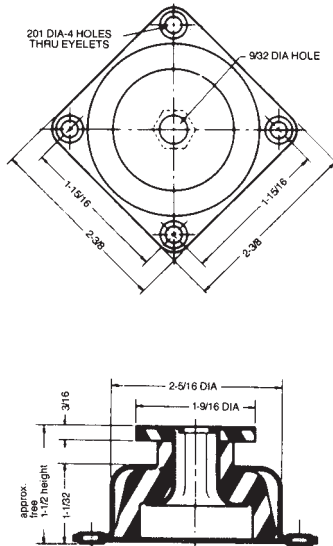
## Environmental Data

- Natural Rubber elastomer has an operating temperature range of -40°F to +180°F (-40°C to +82°C). Optional Neoprene elastomer is available for resistance to ozone and/or oil environments and has an operating temperature range of -20°F to +180°F (-30°C to +82°C).

# 990/915 MOUNT SERIES:

## Dimensions & Load Ranges

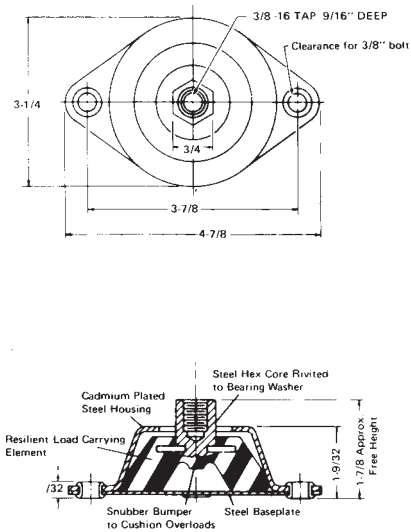
### 990 MOUNTS Dimensional Drawing



### 990 MOUNTS LOAD RATINGS

Part #	Load Range - lbs.
990-3	1.8 - 3
990-5	3 - 5
990-7	4.5 - 7
990-10	5 - 10
990-15	8 - 15
990-20	12 - 20
990-30	19 - 30

### 915 MOUNTS Dimensional Drawing



### 915 MOUNTS LOAD RATINGS

Part #	Load Range - lbs.
915-25	15 - 25
915-40	25 - 40
915-60	35 - 60
915-90	50 - 90
915-150	70 - 150
915-200	120 - 200

### 990/915 Series Mounts Application Performance

