

BARRY CONTROLS MULTIAXIS MOUNTS

Low-profile, economical mounts provide low-frequency vibration isolation in all directions

APPLICATIONS

- Oxygen Concentrators
- Small Pumps
- Electronic Equipment
- Medical Equipment
- Instruments
- Compressors

FEATURES

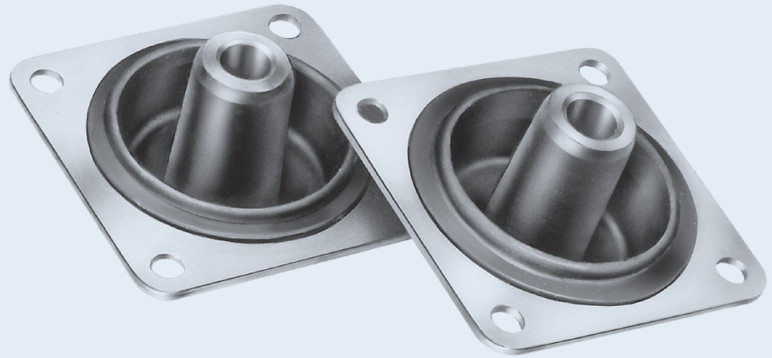
- All attitude
- Low-cost
- Axial to radial stiffness of 1:1
- Compact, low-profile design
- Available in square or diamond shape

BENEFITS

- Provides low-frequency vibration isolation in all directions
- Compact size minimizes required mounting space
- Designed for a wide range of applications
- Easy to install

LOAD RANGE

- Load ratings from 1 to 16 lbs. per isolator at 3/16" deflection



Barry Controls Multiaxis Mounts are designed for low-frequency vibration isolation. These all-attitude isolators provide effective vibration protection in all directions and are available in either square or diamond configurations. Snubbing washers provide an interlocking system of metal fasteners which act to prevent damage from overload or excessive shock impact.

Specifications

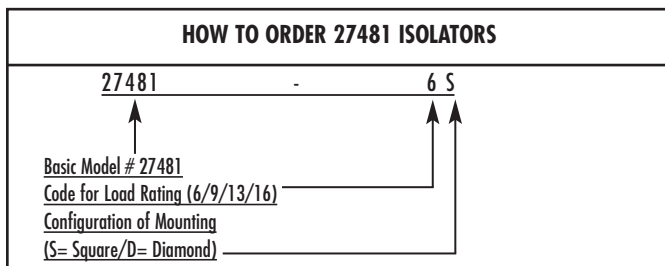
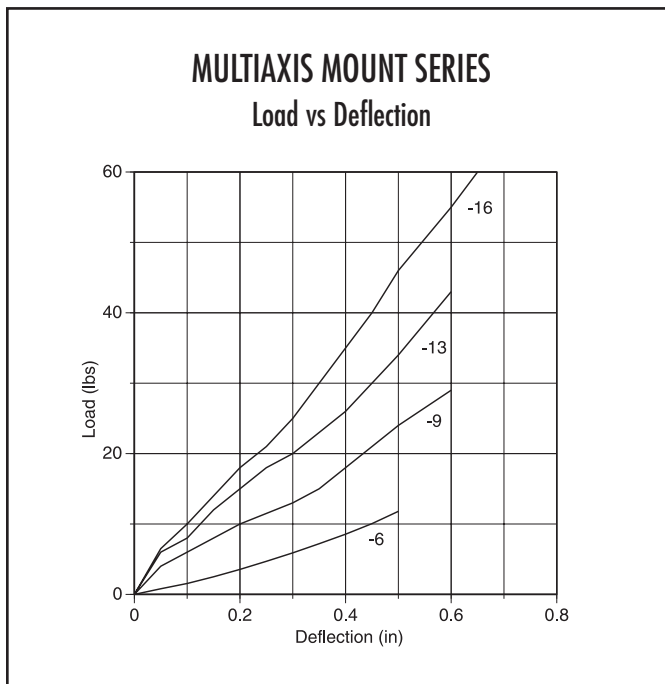
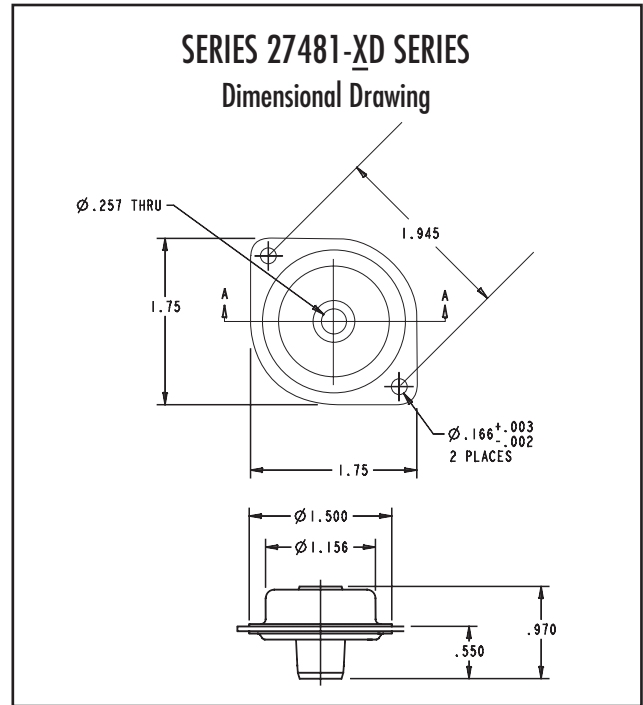
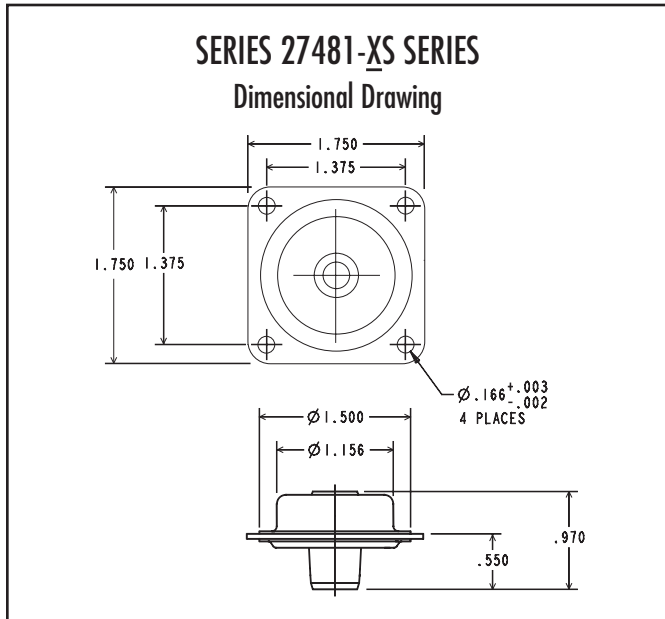
• Natural Frequency	7 Hertz Under Max. Load
• Transmissibility at resonance	10
• Resilient Element	Neoprene
• Standard Materials	Cold-rolled steel
• Weight	1 oz. (27481-S or 27481-D)

Environmental Data

- Standard neoprene elastomer has an operating temperature range of -20°F to +180°F (-30°C to +82°C) and is resistant to oils, most solvents and ozone.

MULTIAXIS MOUNT SERIES:

Dimensions & Performance Characteristics



MULTIAXIS MOUNT SERIES Snubbing Washer

The use of snubbing washers is recommended to ensure proper static and dynamic loading of the isolator and retention of suspended equipment under severe shock environments.

Snubbing washers are ordered by separate part numbers as shown in the table below. The standard material is low-carbon steel and the standard finish is zinc plate. Other materials and finishes are available upon request.

Please consult with Barry Controls Applications Engineering at 1-800-Barry-MA for more information on the use of snubbing washers.

Part #	"A" Dia.	"B" Dia.	"C"
9810321-01000	1.5"	.27"	.062"