

# CABLEMOUNT SERIES

Rugged, all metal cable type isolators offer excellent shock and vibration protection in hostile environments.

## APPLICATIONS

- Shipboard navigational, fire control & communications equipment
- On/Off road vehicles
- Motor/Generator sets
- Extreme temperature environments, such as engine compartments

## FEATURES

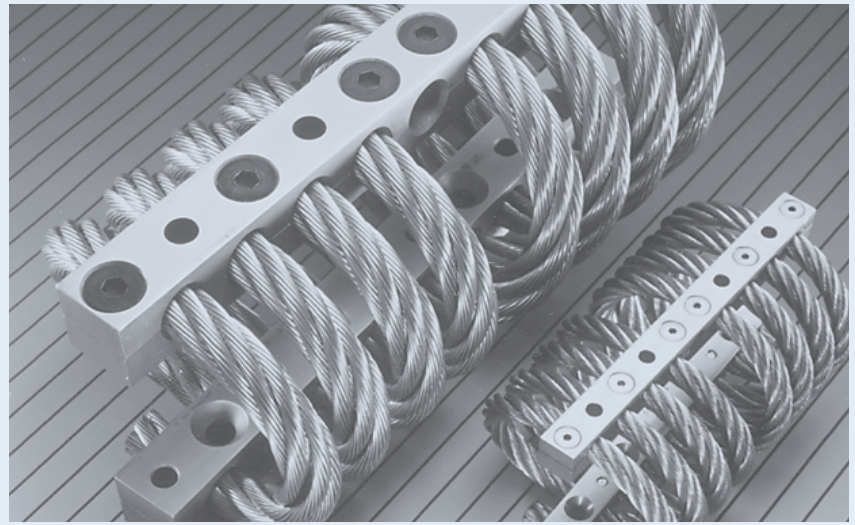
- All-attitude mounting
- Fail-safe design
- Available in a wide range of sizes and load ranges for most applications
- High damping

## BENEFITS

- Performs efficiently without material degradation in hostile environments
- Ideal for use in high temperature and/or under corrosive conditions
- Many custom versions are available  
Consult factory for more information

## LOAD RANGE

- 11 styles to accommodate up to 1,500 lbs. per mount



Cablemounts are designed to perform efficiently without material or performance degradation in extremely hostile environments. They are operational under wide extremes of temperature ranges and resist chemicals, oils and abrasives.

## Specifications

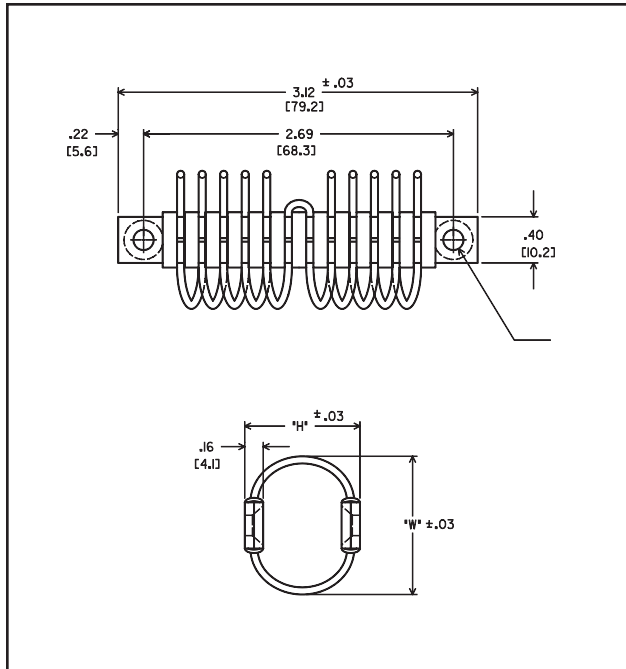
• Natural Frequency	10-20 Hertz
• Transmissibility at resonance	3.5
• Resilient Element	Stainless steel cable
• Standard Materials	Aluminum mounting bars

## Environmental Data

- Operating temperature ranges of -400°F to +700°F (-240°C to +370°C).
- Applicable to military standards of MIL-STD-167 (vibration), MIL-S-901 (shock) and MIL-E-16400.
- Resistant to dust, oils, oil-based solvents, salt water and sand.

# CABLEMOUNT MOUNT SERIES: CM00628

## Dimensions & Load Ratings



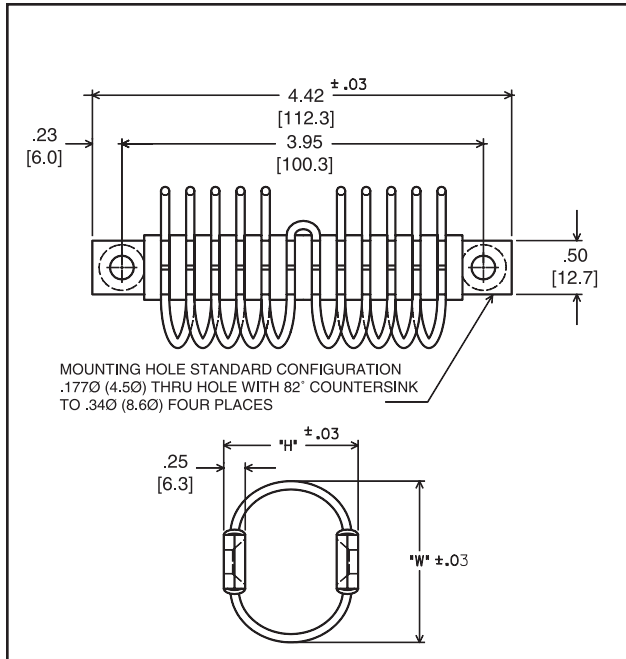
SUFFIX	MOUNTING HOLE CONFIGURATION
NONE	Standard Configuration as shown in drawing
- A	8-32 Threaded inserts in both retaining bars
- B	8-32 Threaded inserts in one retaining bar and standard configuration as shown in drawing in other retaining bar
- C	M4 x .7 Threaded inserts in both retaining bars
- D	M4 x .7 Threaded inserts in one retaining bar and standard configuration as shown in drawing in other retaining bar w/90° countersink
- E	Standard configuration as shown in drawing w/ 90° countersink

PART #	DIMENSIONS		COMPRESSION		SHEAR		ROLL		45° COMP/ROLL	
	H	W	Load Rating	Max. Deflection	Load Rating	Max. Deflection	Load Rating	Max. Deflection	Load Rating	Max. Deflection
CM00628-1	.70	1.00	14.0	.3	7.0	.3	6.5	.3	7.5	.7
CM00628-2	.80	1.10	8.5	.4	3.5	.4	3.5	.4	4.2	.7
CM00628-3	1.00	1.20	5.2	.5	1.6	.6	1.6	.6	3.4	.8
CM00628-4	1.10	1.30	4.8	.7	1.4	.7	1.4	.7	2.5	.9
CM00628-5	1.20	1.40	2.9	.8	1.3	.9	1.3	.9	1.9	.9
CM00628-6	1.30	1.50	2.5	.9	.7	.9	.7	.9	1.5	1.1

Natural Frequency at rated load = approx. 10 Hertz

# CABLEMOUNT MOUNT SERIES: CM00938

## Dimensions & Load Ratings



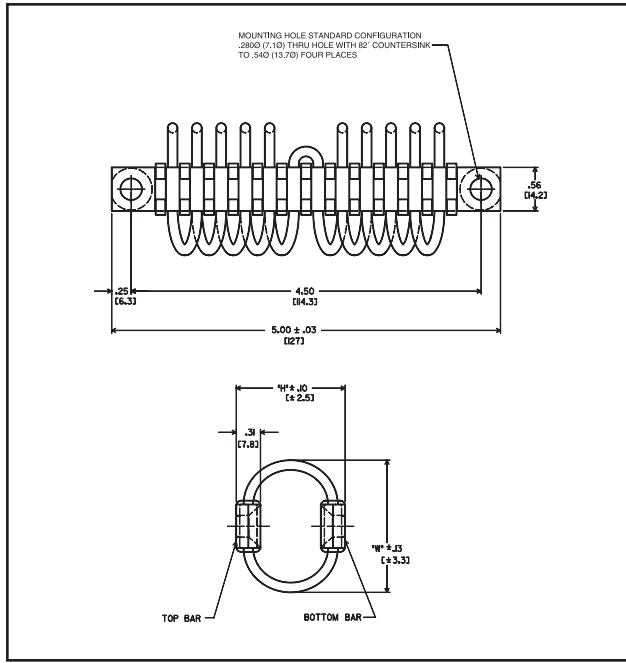
SUFFIX	MOUNTING HOLE CONFIGURATION
NONE	Standard Configuration as shown in drawing
- A	10-32 Threaded inserts in both retaining bars
- B	10-32 Threaded inserts in one retaining bar and standard configuration as shown in drawing in other retaining bar
- C	M5 x .8 Threaded inserts in both retaining bars
- D	M5 x .8 Threaded inserts in one retaining bar and standard configuration as shown in drawing in other retaining bar w/90° countersink
- E	Standard configuration as shown in drawing w/ 90° countersink

PART #	DIMENSIONS		COMPRESSION		SHEAR		ROLL		45° COMP/ROLL	
	H	W	Load Rating	Max. Deflection	Load Rating	Max. Deflection	Load Rating	Max. Deflection	Load Rating	Max. Deflection
CM00938-1	.90	1.10	50.0	.3	23.0	.4	15.0	.4	28.0	.8
CM00938-2	1.00	1.20	31.0	.3	10.0	.5	10.0	.5	19.0	.9
CM00938-3	1.10	1.30	25.0	.4	6.5	.5	6.5	.5	14.5	.9
CM00938-4	1.30	1.50	12.0	.5	4.0	.6	4.0	.6	9.0	.9
CM00938-5	1.40	1.60	9.5	.6	3.0	.7	3.0	.7	6.0	1.1
CM00938-6	1.50	1.70	7.5	.7	2.5	.8	2.5	.8	5.0	1.5

Natural Frequency at rated load = approx. 10 Hertz

# CABLEMOUNT MOUNT SERIES: CM01258

## Dimensions & Load Ratings



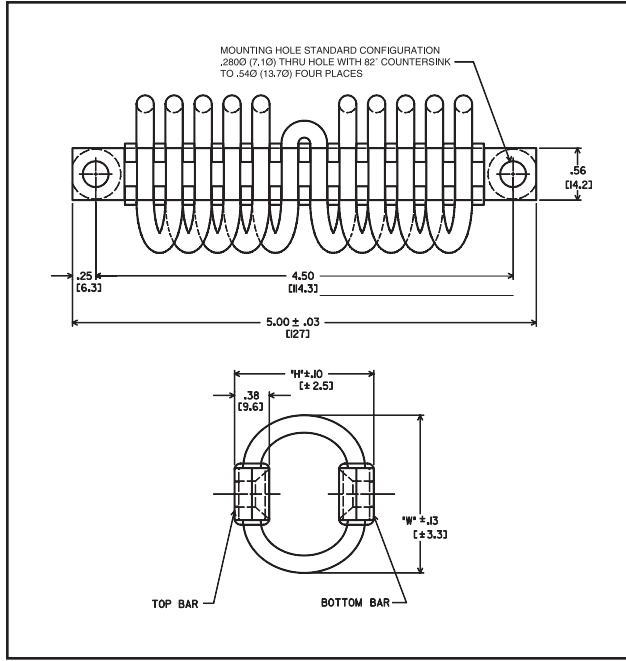
SUFFIX	MOUNTING HOLE CONFIGURATION
NONE	Standard Configuration as shown in drawing
- A	1/4 -20 Threaded inserts in both retaining bars
- B	1/4 -20 Threaded inserts in one retaining bar and standard configuration as shown in drawing in other retaining bar
- C	M6 x 1.0 Threaded inserts in both retaining bars
- D	M6 x 1.0 Threaded inserts in one retaining bar and standard configuration as shown in drawing in other retaining bar w/90° countersink
- E	Standard configuration as shown in drawing w/ 90° countersink

PART #	DIMENSIONS		COMPRESSION		SHEAR		ROLL		45° COMP/ROLL	
	H	W	Load Rating	Max. Deflection	Load Rating	Max. Deflection	Load Rating	Max. Deflection	Load Rating	Max. Deflection
CM01258-1	1.10	1.40	75.0	.2	30.0	.4	28.0	.4	55.0	.9
CM01258-2	1.20	1.50	68.0	.4	21.0	.6	24.0	.6	43.0	.9
CM01258-3	1.30	1.60	50.0	.5	19.0	.7	19.0	.7	33.5	1.0
CM01258-4	1.40	1.70	44.0	.7	13.0	.8	13.0	.8	25.0	1.1
CM01258-5	1.50	1.80	34.0	.7	12.0	.9	12.0	.9	21.0	1.2
CM01258-6	1.60	1.90	33.0	.7	10.0	.9	10.0	.9	19.0	1.5

Natural Frequency at rated load = approx. 10 Hertz

# CABLEMOUNT MOUNT SERIES: CM01878

## Dimensions & Load Ratings



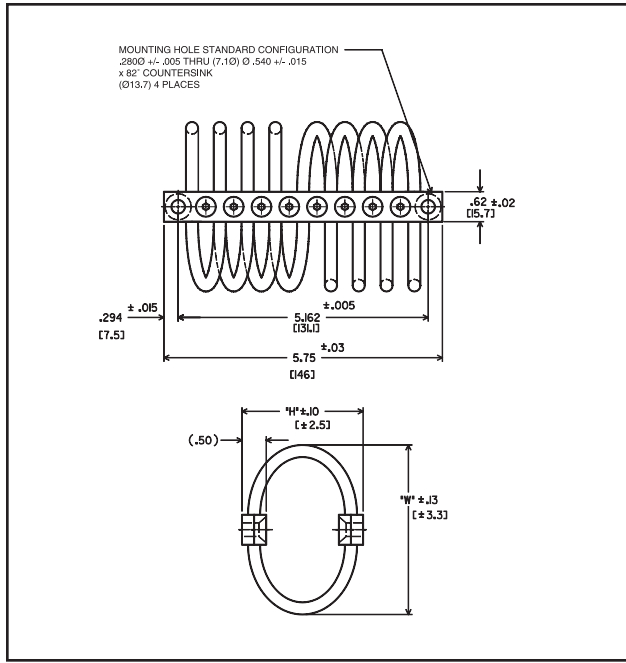
SUFFIX	MOUNTING HOLE CONFIGURATION
NONE	Standard Configuration as shown in drawing
- A	1/4 -20 Threaded inserts in both retaining bars
- B	1/4 -20 Threaded inserts in one retaining bar and standard configuration as shown in drawing in other retaining bar
- C	M6 x 1.0 Threaded inserts in both retaining bars
- D	M6 x 1.0 Threaded inserts in one retaining bar and standard configuration as shown in drawing in other retaining bar w/90° countersink
- E	Standard configuration as shown in drawing w/ 90° countersink

PART #	DIMENSIONS		COMPRESSION		SHEAR		ROLL		45° COMP/ROLL	
	H	W	Load Rating	Max. Deflection	Load Rating	Max. Deflection	Load Rating	Max. Deflection	Load Rating	Max. Deflection
CM01878-1	1.20	1.40	325	.3	160	.4	90	.4	370	.4
CM01878-2	1.30	1.50	190	.3	58	.4	63	.4	250	.6
CM01878-3	1.40	1.60	165	.4	55	.5	45	.5	230	.7
CM01878-4	1.50	1.70	150	.5	45	.5	35	.5	190	.9
CM01878-5	1.60	1.80	120	.7	38	.5	33	.5	150	.9
CM01878-6	1.70	1.90	100	.8	25	.6	31	.6	130	1.0

Natural Frequency at rated load = approx. 10 Hertz

# CABLEMOUNT MOUNT SERIES: CM02508

## Dimensions & Load Ratings



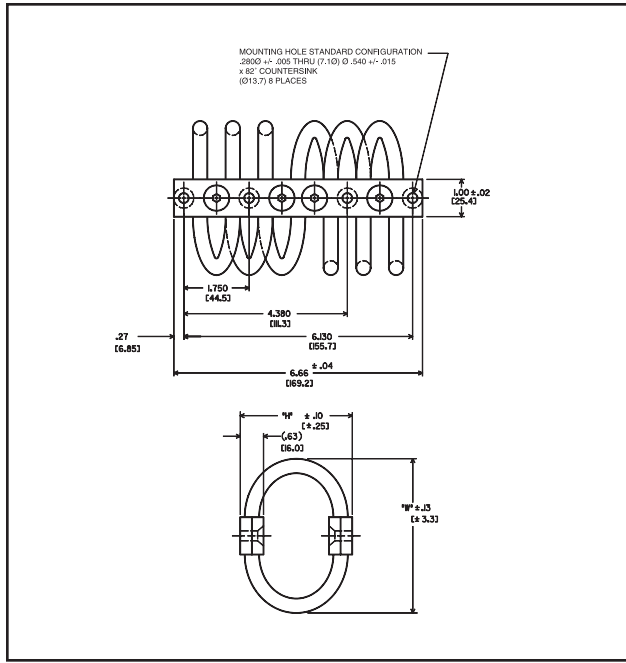
SUFFIX	MOUNTING HOLE CONFIGURATION
NONE	Standard Configuration as shown in drawing
- A	1/4 -28 Threaded inserts in both retaining bars
- B	1/4 -28 Threaded inserts in one retaining bar and standard configuration as shown in drawing in other retaining bar
- C	M6 x 1.0 Threaded inserts in both retaining bars
- D	M6 x 1.0 Threaded inserts in one retaining bar and standard configuration as shown in drawing in other retaining bar w/90° countersink
- E	Standard configuration as shown in drawing w/ 90° countersink

PART #	DIMENSIONS		COMPRESSION		SHEAR		ROLL		45° COMP/ROLL	
	H	W	Load Rating	Max. Deflection	Load Rating	Max. Deflection	Load Rating	Max. Deflection	Load Rating	Max. Deflection
CM02508-1	1.90	2.20	163	.6	69	.8	62	.8	90	1.5
CM02508-2	2.13	2.50	113	.8	45	1.0	40	1.0	65	1.8
CM02508-3	2.31	2.80	94	1.0	30	1.3	33	1.3	50	2.2
CM02508-4	2.50	3.13	63	1.1	20	1.6	23	1.6	38	2.3
CM02508-5	2.50	3.50	50	1.3	15	1.7	21	1.7	30	2.5
CM02508-6	2.63	3.75	43	1.5	13	1.9	20	1.9	24	2.7
CM02508-7	2.63	3.95	38	1.5	12	2.0	13	2.0	26	2.8
CM02508-8	3.25	4.25	29	2.0	9	2.2	12	2.2	18	3.0

Natural Frequency at rated load = approx. 10 Hertz

# CABLEMOUNT MOUNT SERIES: CM03756

## Dimensions & Load Ratings



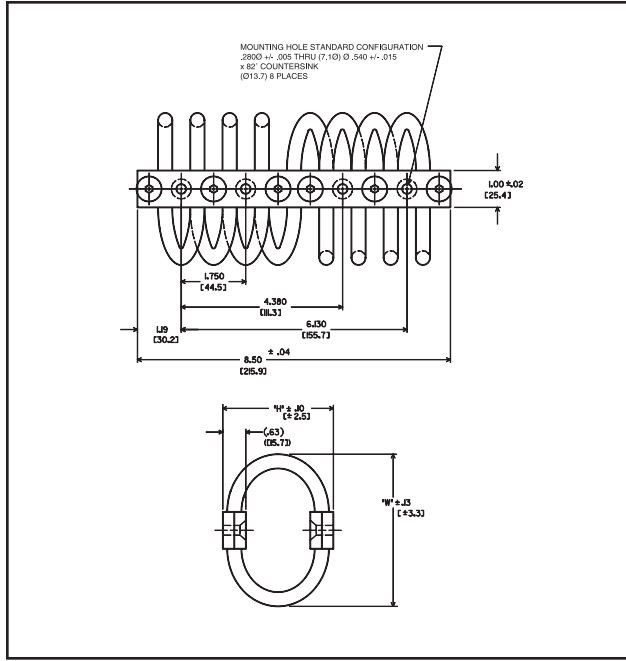
SUFFIX	MOUNTING HOLE CONFIGURATION
NONE	Standard Configuration as shown in drawing
- A	1/4 - 28 Threaded inserts in both retaining bars
- B	1/4 - 28 Threaded inserts in one retaining bar and standard configuration as shown in drawing in other retaining bar
- C	M6 x 1.0 Threaded inserts in both retaining bars
- D	M6 x 1.0 Threaded inserts in one retaining bar and standard configuration as shown in drawing in other retaining bar w/90° countersink
- E	Standard configuration as shown in drawing w/ 90° countersink

PART #	DIMENSIONS		COMPRESSION		SHEAR		ROLL		45° COMP/ROLL	
	H	W	Load Rating	Max. Deflection	Load Rating	Max. Deflection	Load Rating	Max. Deflection	Load Rating	Max. Deflection
CM03756-1	2.80	3.31	263	1.0	113	1.0	80	1.0	195	1.5
CM03756-2	2.90	3.50	244	1.1	48	1.1	66	1.1	180	2.0
CM03756-3	3.00	4.13	150	1.3	43	1.5	52	1.5	100	2.3
CM03756-4	3.25	4.25	131	1.5	29	1.6	44	1.6	90	2.8
CM03756-5	3.50	4.50	104	1.8	25	1.7	24	1.7	56	3.5
CM03756-6	4.13	4.75	94	2.0	23	2.0	21	2.0	52	4.0
CM03756-7	4.25	5.50	56	2.2	14	2.2	17	2.2	30	4.5

Natural Frequency at rated load = approx. 10 Hertz

# CABLEMOUNT MOUNT SERIES: CM03758

## Dimensions & Load Ratings



SUFFIX	MOUNTING HOLE CONFIGURATION
NONE	Standard Configuration as shown in drawing
- A	1/4 - 28 Threaded inserts in both retaining bars
- B	1/4 - 28 Threaded inserts in one retaining bar and standard configuration as shown in drawing in other retaining bar
- C	M 6 x 1.0 Threaded inserts in both retaining bars
- D	M 6 x 1.0 Threaded inserts in one retaining bar and standard configuration as shown in drawing in other retaining bar w/90° countersink
- E	Standard configuration as shown in drawing w/ 90° countersink

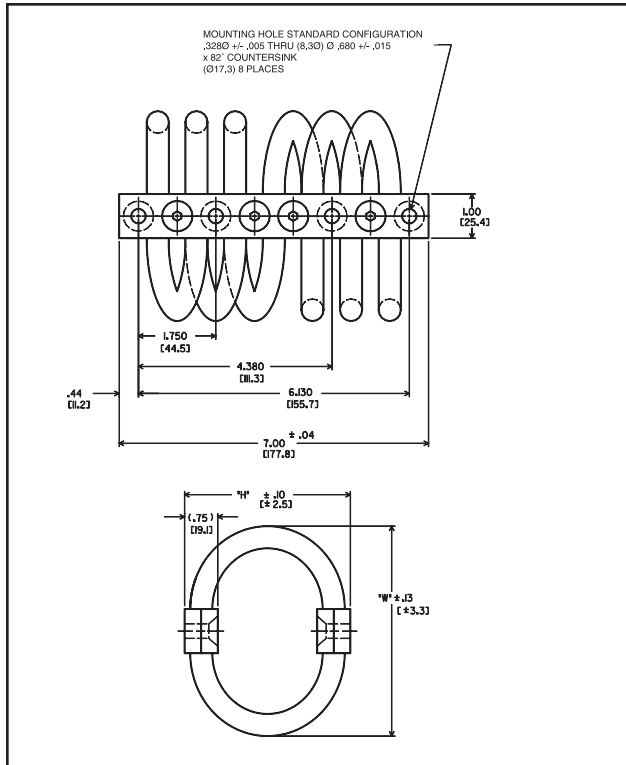
PART #	DIMENSIONS		COMPRESSION		SHEAR		ROLL		45° COMP/ROLL	
	H	W	Load Rating	Max. Deflection	Load Rating	Max. Deflection	Load Rating	Max. Deflection	Load Rating	Max. Deflection
CM03758-1	2.80	3.31	350	1.0	150	1.0	106	1.0	260	1.5
CM03758-2	2.90	3.50	325	1.1	63	1.1	88	1.1	240	2.0
CM03758-3	3.00	4.13	200	1.3	60	1.5	69	1.5	135	2.3
CM03758-4	3.25	4.25	175	1.5	38	1.6	59	1.6	120	2.8
CM03758-5	3.50	4.50	138	1.8	34	1.7	30	1.7	75	3.5
CM03758-6	4.13	4.75	125	2.0	31	2.0	28	2.0	70	4.0
CM03758-7	4.25	5.50	75	2.2	19	2.2	22	2.2	40	4.5

Natural Frequency at rated load = approx. 10 Hertz



# CABLEMOUNT MOUNT SERIES: CM05006

## Dimensions & Load Ratings



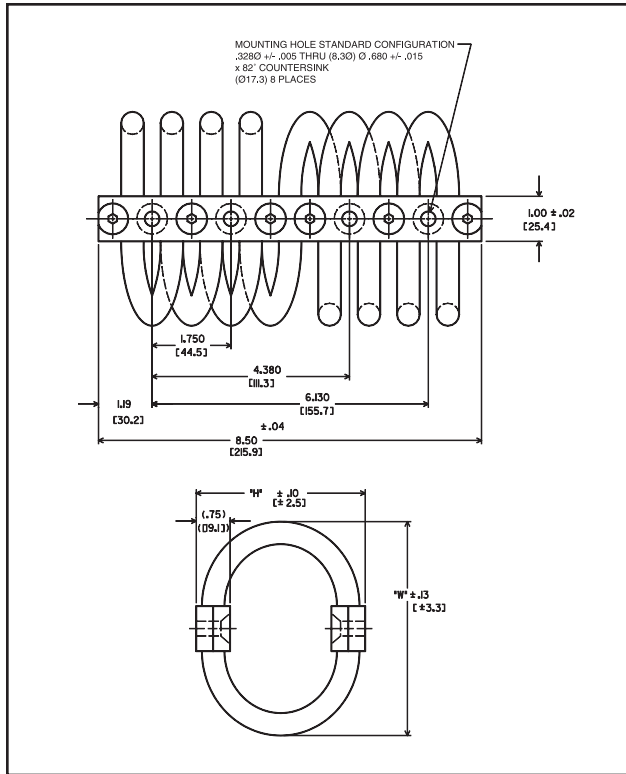
SUFFIX	MOUNTING HOLE CONFIGURATION
NONE	Standard Configuration as shown in drawing
- A	1/4 -28 Threaded inserts in both retaining bars
- B	1/4 -28 Threaded inserts in one retaining bar and standard configuration as shown in drawing in other retaining bar
- C	M 6 x 1.0 Threaded inserts in both retaining bars
- D	M 6 x 1.0 Threaded inserts in one retaining bar and standard configuration as shown in drawing in other retaining bar w/90° countersink
- E	Standard configuration as shown in drawing w/ 90° countersink

PART #	DIMENSIONS		COMPRESSION		SHEAR		ROLL		45° COMP/ROLL	
	H	W	Load Rating	Max. Deflection	Load Rating	Max. Deflection	Load Rating	Max. Deflection	Load Rating	Max. Deflection
CM05006-1	3.25	4.00	469	1.0	143	1.0	158	1.0	300	1.5
CM05006-2	3.50	4.13	356	1.1	113	1.1	120	1.1	225	2.0
CM05006-3	3.75	4.75	206	1.3	53	1.5	83	1.5	180	2.3
CM05006-4	4.25	5.25	150	1.5	41	1.6	56	1.6	128	2.8
CM05006-5	4.90	5.65	90	1.8	38	1.7	30	1.7	98	3.5
CM05006-6	5.40	6.13	75	2.0	26	2.0	26	2.0	68	4.0
CM05006-7	6.10	7.10	45	2.2	21	2.2	24	2.2	41	4.5

Natural Frequency at rated load = approx. 10 Hertz

# CABLEMOUNT MOUNT SERIES: CM05008

## Dimensions & Load Ratings



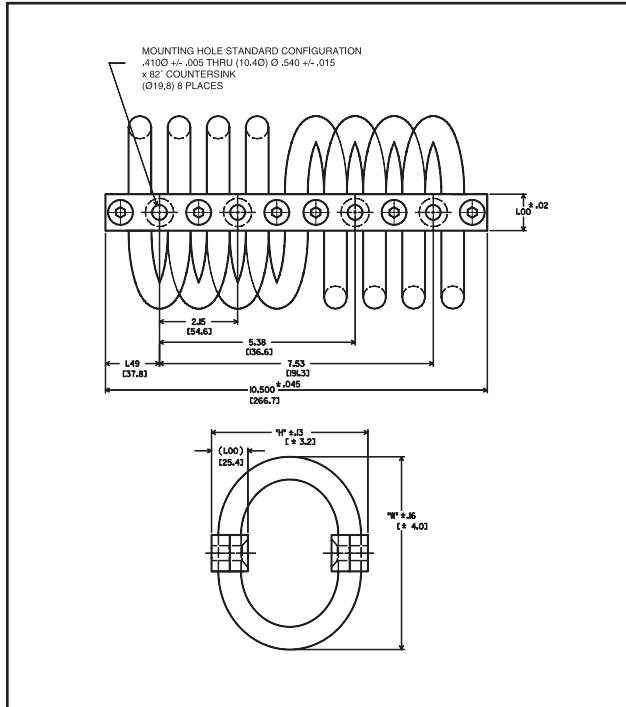
SUFFIX	MOUNTING HOLE CONFIGURATION
NONE	Standard Configuration as shown in drawing
- A	1/4 - 28 Threaded inserts in both retaining bars
- B	1/4 - 28 Threaded inserts in one retaining bar and standard configuration as shown in drawing in other retaining bar
- C	M 6 x 1.0 Threaded inserts in both retaining bars
- D	M 6 x 1.0 Threaded inserts in one retaining bar and standard configuration as shown in drawing in other retaining bar w/90° countersink
- E	Standard configuration as shown in drawing w/ 90° countersink

PART #	DIMENSIONS		COMPRESSION		SHEAR		ROLL		45° COMP/ROLL	
	H	W	Load Rating	Max. Deflection	Load Rating	Max. Deflection	Load Rating	Max. Deflection	Load Rating	Max. Deflection
CM05008-1	3.25	4.00	625	1.0	190	1.0	210	1.0	400	1.5
CM05008-2	3.50	4.13	475	1.1	150	1.1	160	1.1	300	2.0
CM05008-3	3.75	4.75	275	1.3	70	1.5	110	1.5	250	2.3
CM05008-4	4.25	5.25	200	1.5	55	1.6	75	1.6	170	2.8
CM05008-5	4.90	5.65	120	1.8	50	1.7	40	1.7	130	3.5
CM05008-6	5.40	6.13	100	2.0	38	2.0	35	2.0	90	4.0
CM05008-7	6.10	7.10	60	2.2	28	2.2	30	2.2	55	4.5

Natural Frequency at rated load = approx. 10 Hertz

# CABLEMOUNT MOUNT SERIES: CM06258

## Dimensions & Load Ratings



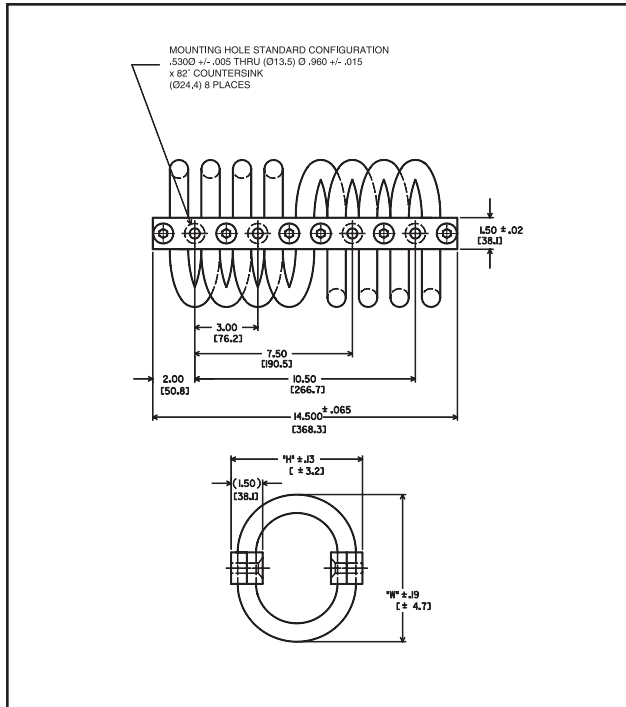
SUFFIX	MOUNTING HOLE CONFIGURATION
NONE	Standard Configuration as shown in drawing
- A	3/8 - 24 Threaded inserts in both retaining bars
- B	3/8 - 24 Threaded inserts in one retaining bar and standard configuration as shown in drawing in other retaining bar
- C	M 10 x 1.5 Threaded inserts in both retaining bars
- D	M 10 x 1.5 Threaded inserts in one retaining bar and standard configuration as shown in drawing in other retaining bar w/90° countersink
- E	Standard configuration as shown in drawing w/ 90° countersink

PART #	DIMENSIONS		COMPRESSION		SHEAR		ROLL		45° COMP/ROLL	
	H	W	Load Rating	Max. Deflection	Load Rating	Max. Deflection	Load Rating	Max. Deflection	Load Rating	Max. Deflection
CM06258-1	3.50	4.00	1300	1.2	325	1.2	200	1.2	800	1.8
CM06258-2	3.90	4.40	800	1.4	250	1.4	190	1.4	450	2.3
CM06258-3	4.30	5.30	625	1.8	130	1.8	150	1.2	325	2.8
CM06258-4	4.70	6.00	440	2.2	110	2.2	145	2.2	275	3.2
CM06258-5	5.00	6.50	350	2.5	70	2.5	130	2.5	175	3.6

Natural Frequency at rated load = approx. 10 Hertz

# CABLEMOUNT MOUNT SERIES: CM08758

## Dimensions & Load Ratings



SUFFIX	MOUNTING HOLE CONFIGURATION
NONE	Standard Configuration as shown in drawing
- A	1/2 - 13 Threaded inserts in both retaining bars
- B	1/2 - 13 Threaded inserts in one retaining bar and standard configuration as shown in drawing in other retaining bar
- C	M 12 x 1.75 Threaded inserts in both retaining bars
- D	M 12 x 1.75 Threaded inserts in one retaining bar and standard configuration as shown in drawing in other retaining bar w/90° countersink
- E	Standard configuration as shown in drawing w/ 90° countersink

PART #	DIMENSIONS		COMPRESSION		SHEAR		ROLL		45° COMP/ROLL	
	H	W	Load Rating	Max. Deflection	Load Rating	Max. Deflection	Load Rating	Max. Deflection	Load Rating	Max. Deflection
CM08758-1	5.25	5.50	1500	1.8	400	2.1	350	2.1	875	2.5
CM08758-2	6.00	6.50	1000	2.1	300	2.6	300	2.6	750	3.2
CM08758-3	6.25	7.00	900	2.3	225	2.9	238	2.9	600	3.8
CM08758-4	7.50	8.25	600	3.4	125	3.3	138	3.3	450	4.7
CM08758-5	8.50	9.25	400	4.2	100	4.0	125	4.0	250	6.4

Natural Frequency at rated load = approx. 10 Hertz