

ME-MOUNT SERIES (ME100/ME500)

An effective isolation solution for installations where instrumentation is subjected to rugged environmental conditions.

APPLICATIONS

- Militarized computer installations (such as disk drives)
- Vehicular mounted equipment
- Avionics
- Lightweight electrical equipment

FEATURES

- Compact, low-profile design
- Available in two sizes
- High deflection capability and compact size for light loads
- Axial to radial stiffness ratio 2:1

BENEFITS

- Can be used in tandem for extended deflection capability

LOAD RANGE

- ME-100 = 5 load ratings to 10 lbs. per mount
- ME-500 = 5 load ratings to 10 lbs. per mount



ME Series Mounts are low frequency, free standing isolators which are environmentally resistant and operate over a wide temperature range. They are for use in isolating delicate instrumentation in mobile, military or office equipment applications.

Specifications

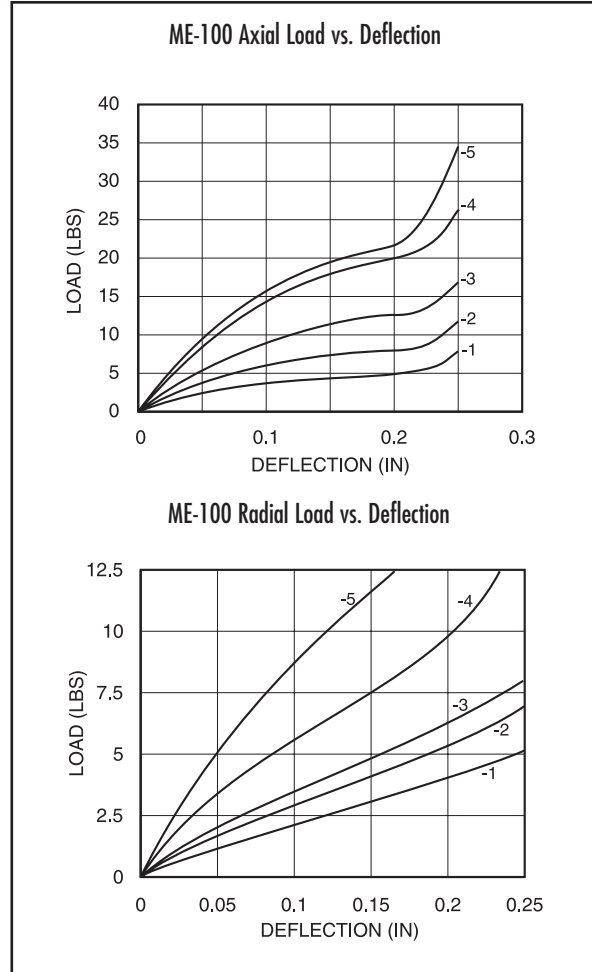
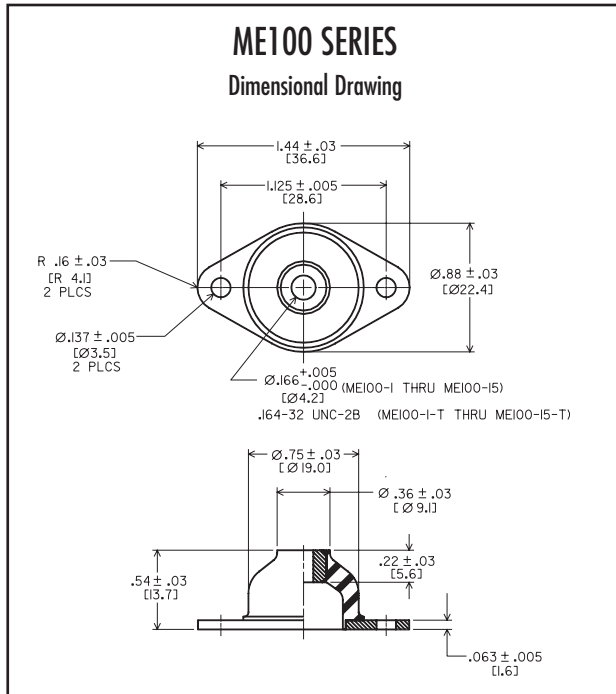
• Natural Frequency	12-20 Hertz
• Transmissibility at resonance	10 Max.
• Resilient Element	Neoprene
• Standard Materials	Aluminum
• Weight	ME-100 = 0.2 oz. ME-500 = 0.5 oz.

Environmental Data

- Operating temperature range is -20°F to +180°F (-30°C to +82°C).
- Resistant to oil, most solvents and ozone.
- Butyl and Barry LT available on special order where high damping and extended temperature performance characteristics are required.

ME100 MOUNT SERIES:

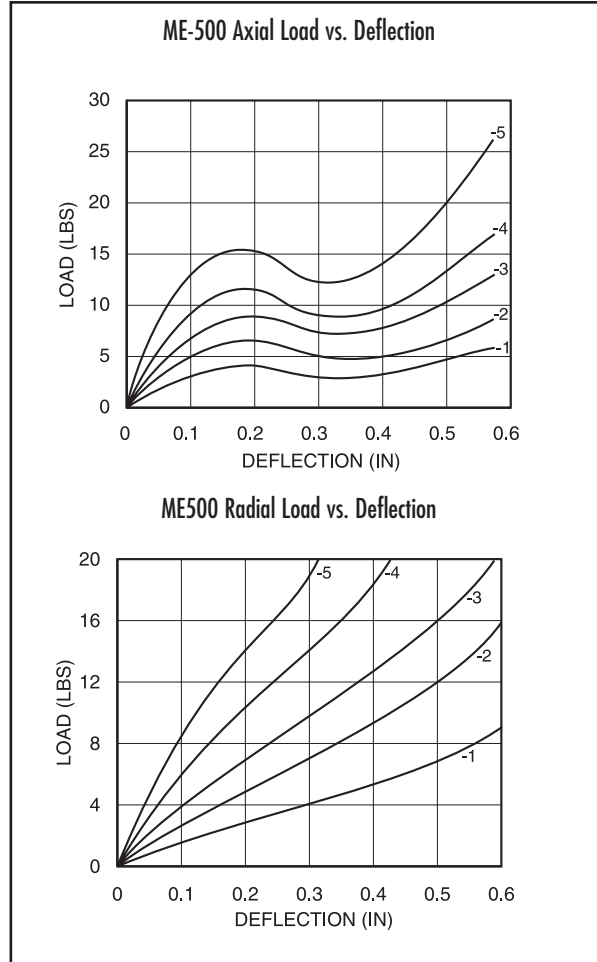
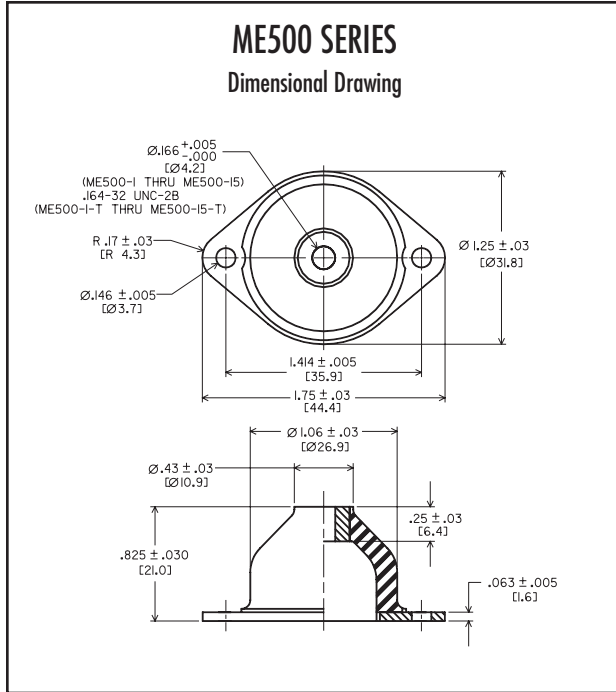
Dimensions & Load Range Specifications



ME100 SERIES LOAD RATINGS				
Part #	Maximum Load (lbs.)		Axial Natural Frequency	Color Code
	Axial Compression	Radial		
ME100-1	2.50	1.40	14 Hz	Blue
ME100-2	3.75	1.90	14 Hz	Red
ME100-3	4.25	2.75	16 Hz	Green
ME100-4	6.50	3.75	16 Hz	Yellow
ME100-5	10.00	6.25	16 Hz	White

ME500 MOUNT SERIES:

Performance Characteristics



ME500 SERIES LOAD RATINGS				
Part #	Maximum Load (lbs.)		Axial Natural Frequency	Color Code
	Axial Compression	Radial		
ME500-1	2.00	0.75	12 Hz	Blue
ME500-2	3.00	1.50	12 Hz	Red
ME500-3	5.00	2.25	12 Hz	Green
ME500-4	7.50	4.00	12 Hz	Yellow
ME500-5	10.00	5.50	12 Hz	White