

# NAVY MOUNT SERIES

## APPLICATIONS

- Mounting of power generating equipment in marine applications

## FEATURES

- Rugged Construction
- Corrosion Resistant
- Navy Designed & Approved

## BENEFITS

- Reduces transmission of vibration from equipment to hull structure
- Provides effective reduction of structure-borne noise

## LOAD RANGE

- Several designs with load ratings from 15 lbs to 10,000 lbs per mount

Navy mounts are U.S. Navy developed and QPL approved mounts commonly known as Portsmouth, EES and Mare Island mounts for use in mounting power generating equipment. These mounts resist high impact shipboard shocks and prevent structure-borne noise.

## Part Numbering Systems

- Natural Frequency is the numerical prefix of the Navy type number and indicates the axial natural frequency of the mount when loaded to its specified capacity.
- Design Activity is the single letter following the numerical prefix: M = Mare Island Naval Shipyard, P = Portsmouth Naval Shipyard, E = Engineering Experimental Station, B = NAVSHIPS.
- Capacity is the numbers following the design activity designation and indicates the maximum rated capacity of the mount in pounds.
- Metal Member: If non-magnetic construction is required, NM should be added to the end of the Navy Mount part number. Suffix “H” denotes natural rubber only (5,000 and 10,000 lbs. mounts).

### **6 - E - 100 - NM**

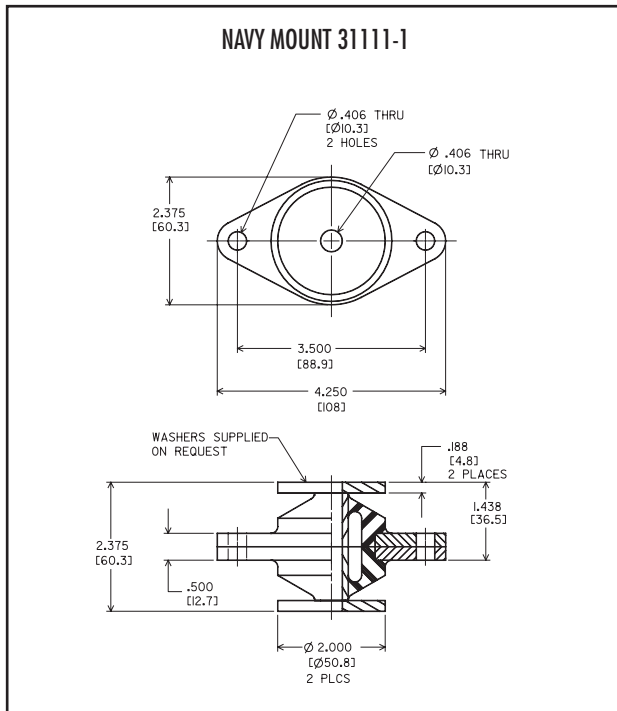
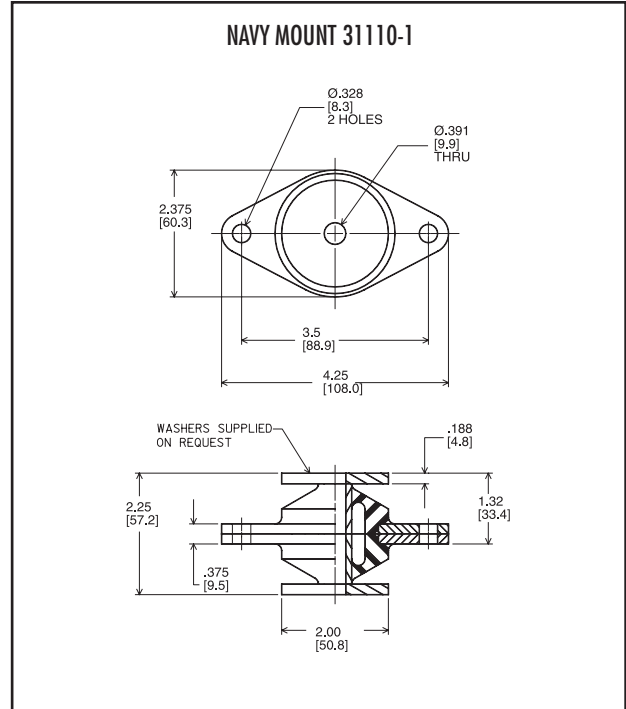
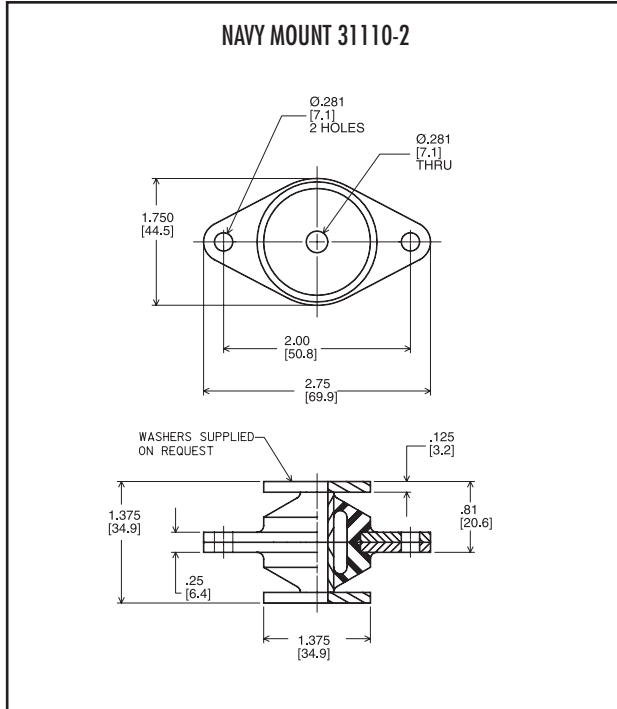
- 6 = 6 Hz Natural Frequency
- E = Design Activity (Eng. Experimental Station)
- 100 = Load Capacity (100 lbs.)
- NM = Non-Magnetic Construction

## Environmental Data

- Naval mounts are fully qualified to the following military specifications: MIL-M-19379 (10M/11M Series) MIL-M-17191 (15P Series), MIL-M-17508 (6E and 7E Series), MIL-M-21649 (5M10000) and MIL-M-19863 (5B5000H).

# NAVY MOUNT SERIES: MARE ISLAND MOUNTS

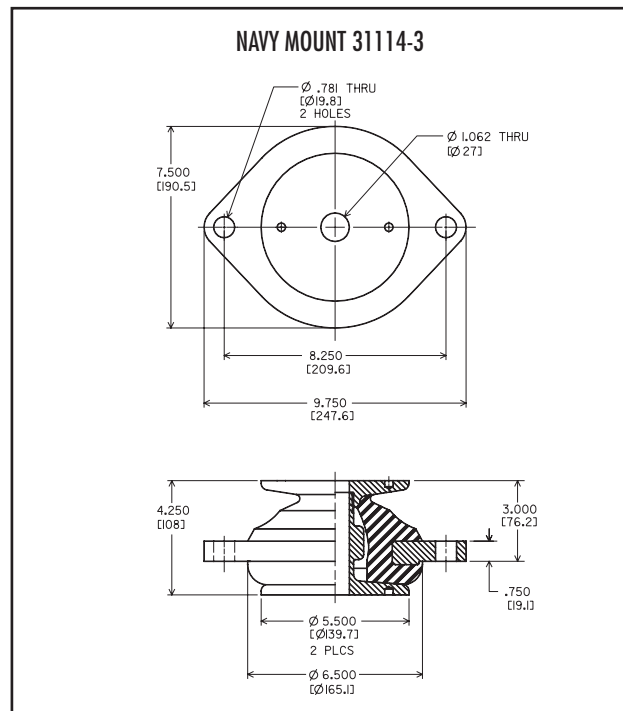
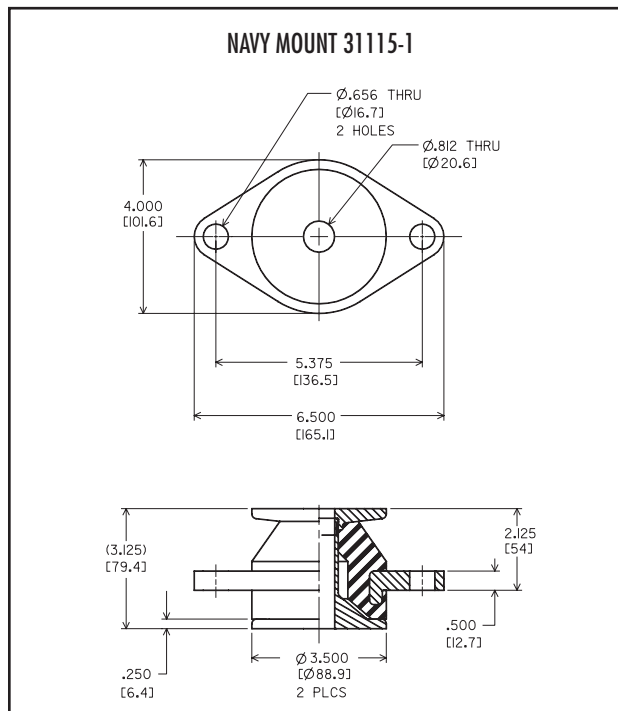
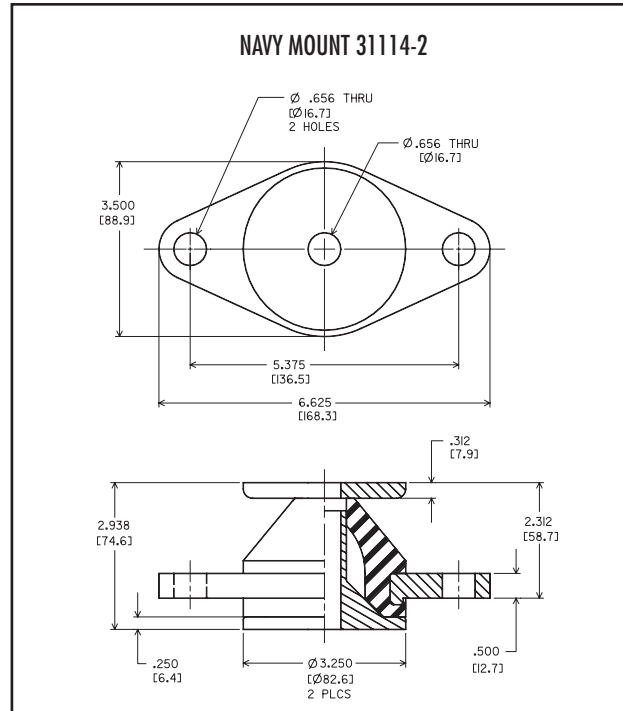
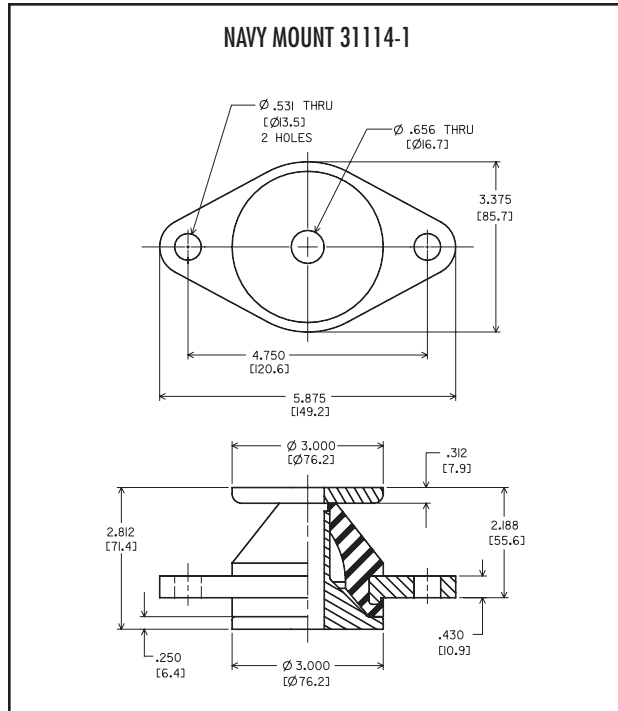
## Dimensions & Performance Characteristics



Part #	Navy Type #	Capacity (lbs)	Natural Frequency	Weight
31110-2	11M15	15	11 Hz	1 lb.
31110-1	11M25	25	11 Hz	1 lb.
31111-1	10M50	50	10 Hz	1 lb.
31114-1	6E100	100	6 Hz	2.8 lbs.
31115-1	7E450	450	7 Hz	4.5 lbs.
31114-3	6E900	900	6 Hz	18 lbs.

# NAVY MOUNT SERIES: EES MACHINERY MOUNTS

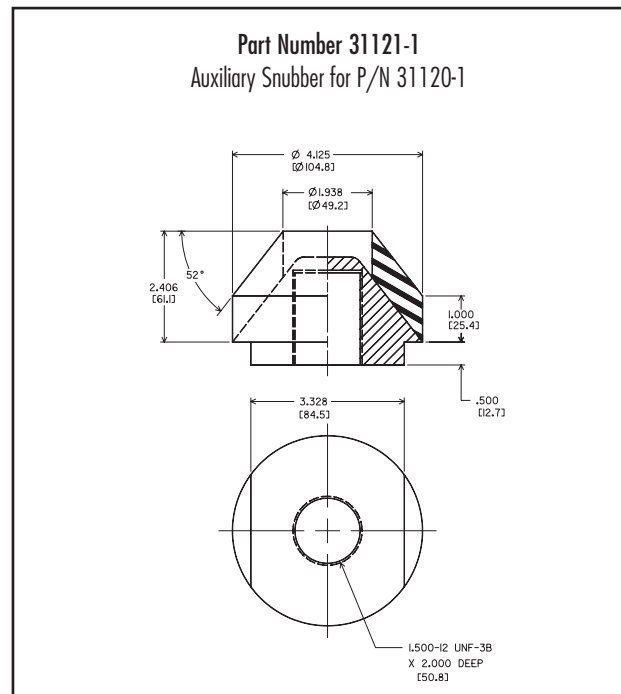
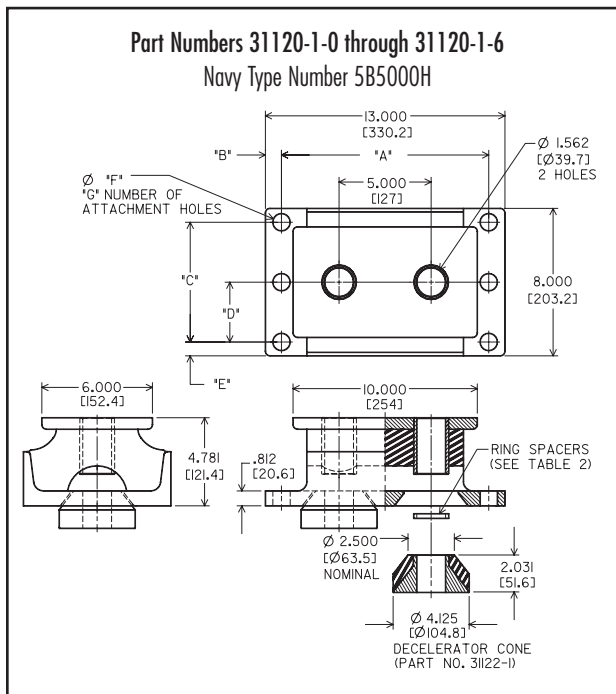
## Dimensions & Performance Characteristics



# NAVY MOUNT SERIES: EES MACHINERY MOUNTS & 5B5000H

## Dimensions & Performance Characteristics

All Parts of Type 31120 have 5000 lb capacity and 5 Hz Natural Frequency						
Part #	A	B	C	D	E	F
31120-1-0	-	-	-	-	-	-
31120-1-4	10.75	1.125	5.75	-	1.125	1.281
31120-1-6	11.25	.875	6.5	3.25	.75	.906

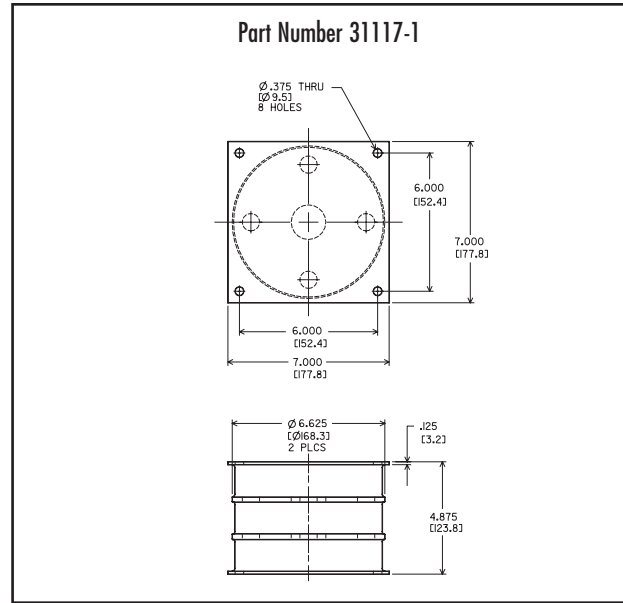
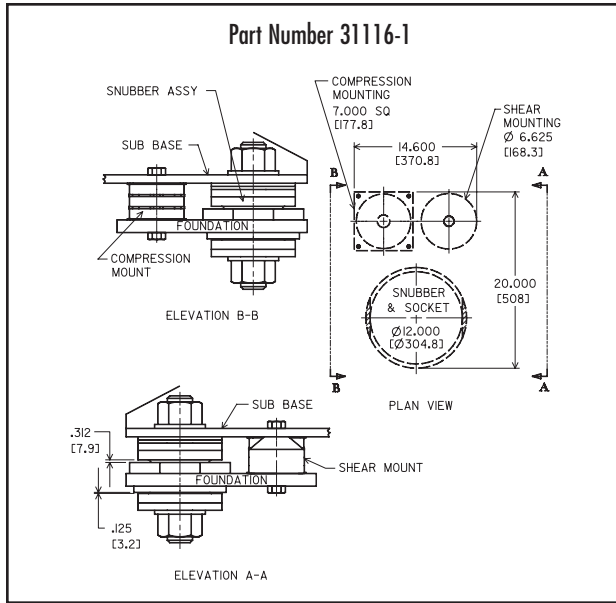


**Table 2**

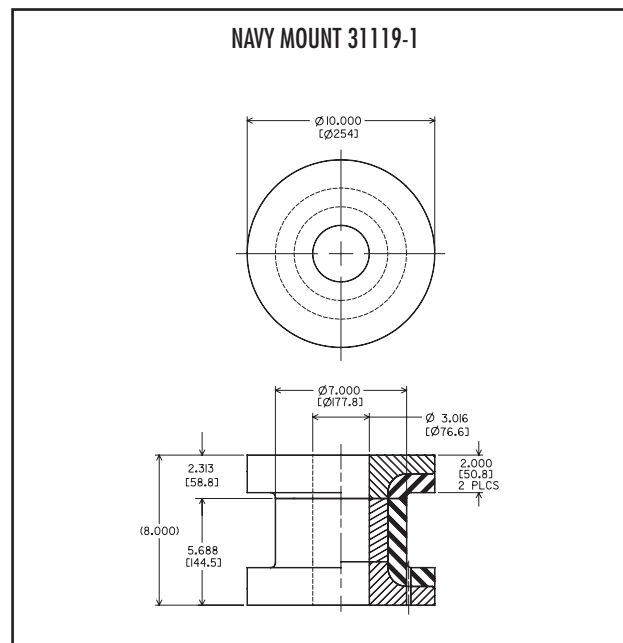
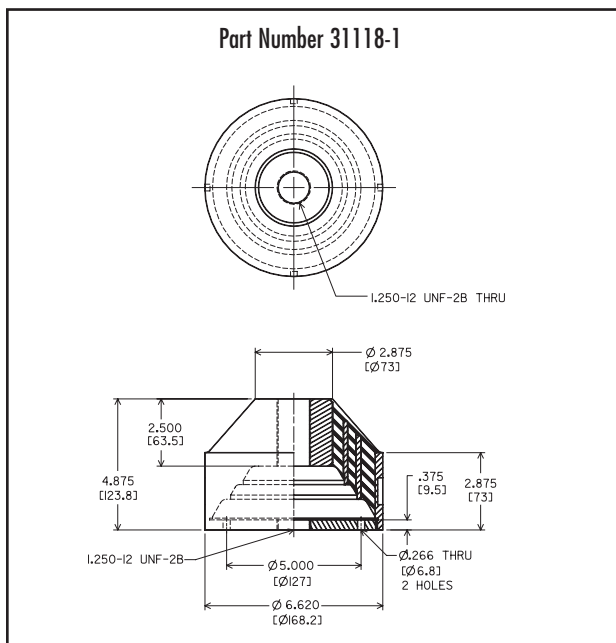
Ring Spacers		
Part No.	Length (in)	No. Required
8510084-019036	0.250	2
8510084-029036	0.125	2
8510084-039036	0.062	8

# NAVY MOUNT SERIES: 5M10000H

## Dimensions & Performance Characteristics

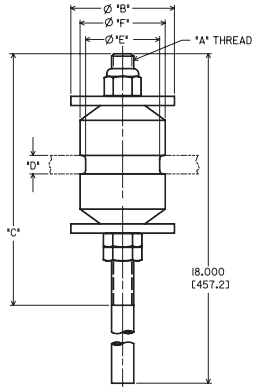


Part #	Navy Type #	Description	Load Rating	Natural Frequency	Weight
31116-1	5M10000H	Complete Assembly	10000 lbs for complete assembly	5 Hz for complete assembly	98.5 lbs.
31117-1	5M10000H	Compression Element			13.2 lbs.
31118-1	5M10000H	Shear Element			14.1 lbs.
31119-1	5M10000H	Snubber Element			71.1 lbs.



# NAVY MOUNT SERIES: UBST & EES BACK-TO BACK MOUNTS

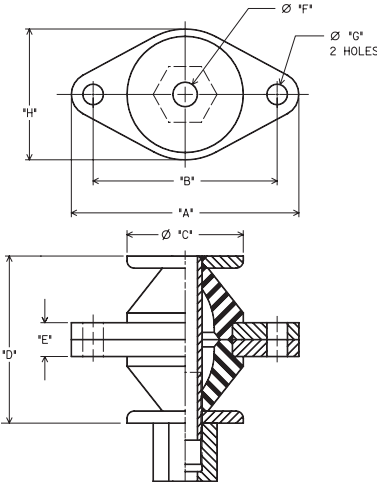
## Dimensions & Performance Characteristics



### UBST Un-bonded Spool Mount Series

BARRY PART NO.	Ø B	C	D	Ø E	Ø F	*A* THREAD SIZE
21482-1	1.250 [31.8]	3.000 [76.2]	.250 [6.4]	.875 [22.2]	1.000 [25.4]	.312-18 UNC-2A
21482-2	1.750 [44.4]	4.250 [108]	.375 [9.5]	1.250 [31.8]	1.438 [36.5]	.375-16 UNC-2A
21482-3	2.000 [50.8]	5.000 [127]	.500 [12.7]	1.438 [36.5]	1.688 [42.9]	.500-13 UNC-2A
21482-4	2.250 [57.2]	5.250 [133.4]	.625 [15.9]	1.625 [41.3]	2.000 [50.8]	.625-11 UNC-2A

Part #	Navy Type #	Capacity (lbs)
21482-1	UBST-15	15
21482-2	UBST-50	50
21482-3	UBST-100	100
21482-4	UBST-200	200
22416-1	6E100BB	100
22417-1	6E150BB	150
31114-5	6E900BB	900
31115-2	7E450BB	450



### EES Back-to-Back Series

BARRY PART NO.	A	B	Ø C	D	E	Ø F	Ø G	H
22416-1	5.875 [149.2]	4.750 [120.6]	3.000 [76.2]	4.312 [109.5]	.875 [22.2]	.640 [16.3]	.531 [13.5]	3.375 [85.7]
22417-1	6.625 [168.3]	5.375 [136.5]	3.250 [82.6]	4.562 [115.9]	1.000 [25.4]	.640 [16.3]	.656 [16.7]	3.500 [88.9]
31114-5	9.750 [247.6]	8.250 [209.6]	5.500 [139.7]	6.125 [155.6]	.990 [25.2]	1.062 [27]	.781 [19.8]	7.500 [190.5]
31115-2	6.500 [165.1]	5.375 [136.5]	3.500 [88.9]	4.625 [114.5]	.875 [22.2]	.812 [20.6]	.656 [16.7]	4.000 [101.6]