

T-MOUNT SERIES (T22/T44/T64/T94)

General purpose, all-attitude isolators for mounting aircraft, shipboard or vehicular equipment.

APPLICATIONS

- Shipboard electronics
- Missile electronics
- Racking systems
- Aircraft & mobile applications
- Avionics & electronics

FEATURES

- Fail safe, all-attitude isolators
- Meets crash safety requirements of MIL-E-5400 (30g 11 millisecond half-sine pulse shock)
- Axial to radial stiffness of 1:1
- Isolates under sustained loadings of up to 5g's

BENEFITS

- Provides efficient vibration isolation at frequencies above 40 hertz
- Increased equipment reliability and extended component life

LOAD RANGE

- T22 = 4 ratings to 5 lbs. per mount
- T44 = 3 ratings to 20 lbs. per mount
- T64 = 3 ratings to 80 lbs. per mount
- T94 = 2 ratings to 150 lbs. per mount



Barry T-Mounts are general purpose isolators for mounting aircraft, shipboard or vehicular equipment in any attitude. They are ideally suited for applications requiring high frequency vibration isolation with low resonant amplification.

Specifications

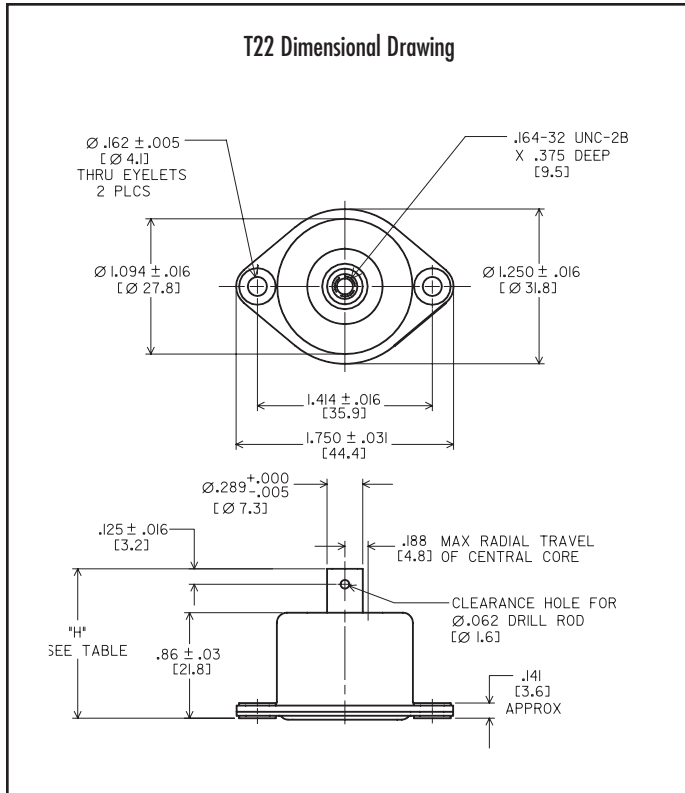
• Natural Frequency	15-40 Hertz
• Transmissibility at resonance	4.0 Max.
• Resilient Element	Hi-Damp Silicone
• Standard Materials	Varies with model
• Weight	T22 = 1.1 oz. T44 = 2.8 oz. T64 = 5.3 oz. T94 = 14.2 oz.

Environmental Data

- Hi-Damp Silicone exceeds the temperature requirements of MIL-E-5400 (-67°F to +300°F or -55°C to +150°C) operational and (-100°F to +300°F or -75°C to +150°C) storage.
- Meets MIL-E-5400 requirements for resistance to ozone, humidity, salt spray and fungus.
- Meets MIL-S-901 lightweight Grade B Navy high impact shock test requirements.

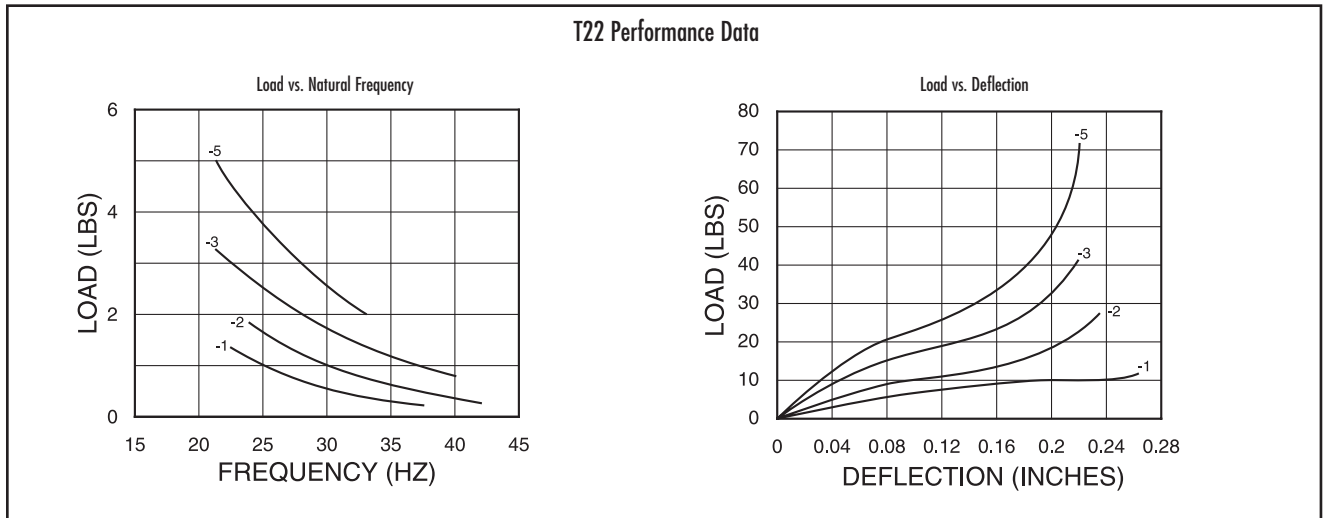
T-MOUNT SERIES: T22

Dimensions & Performance Characteristics



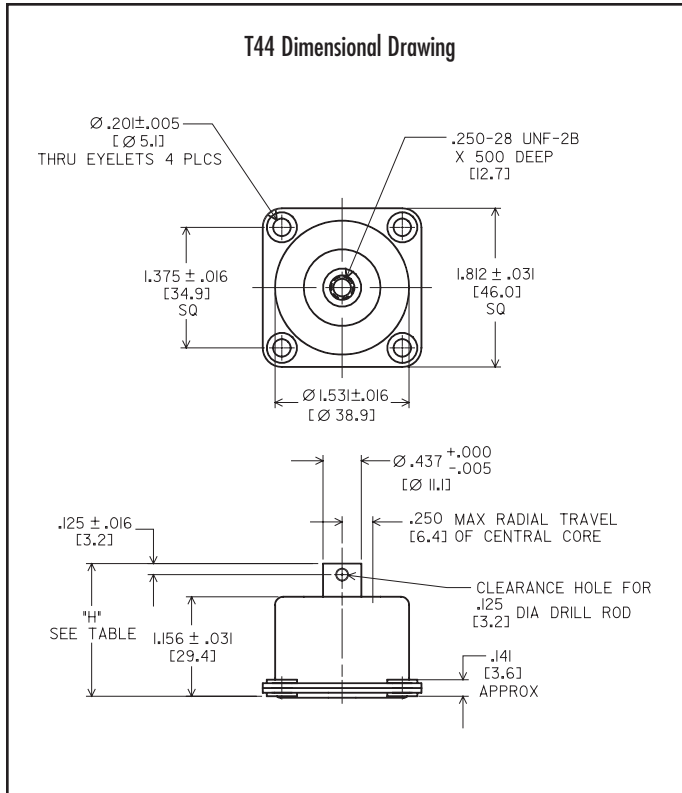
T22 SERIES "H" DIMENSION	
Compressed	.91
Approx. Free	1.22
Max. Extended	1.56

T22 SERIES LOAD RANGE DATA	
Part #	Max. Load/Isolator
T22-AB-1	1 lb.
T22-AB-2	2 lbs.
T22-AB-3	3 lbs.
T22-AB-5	5 lbs.



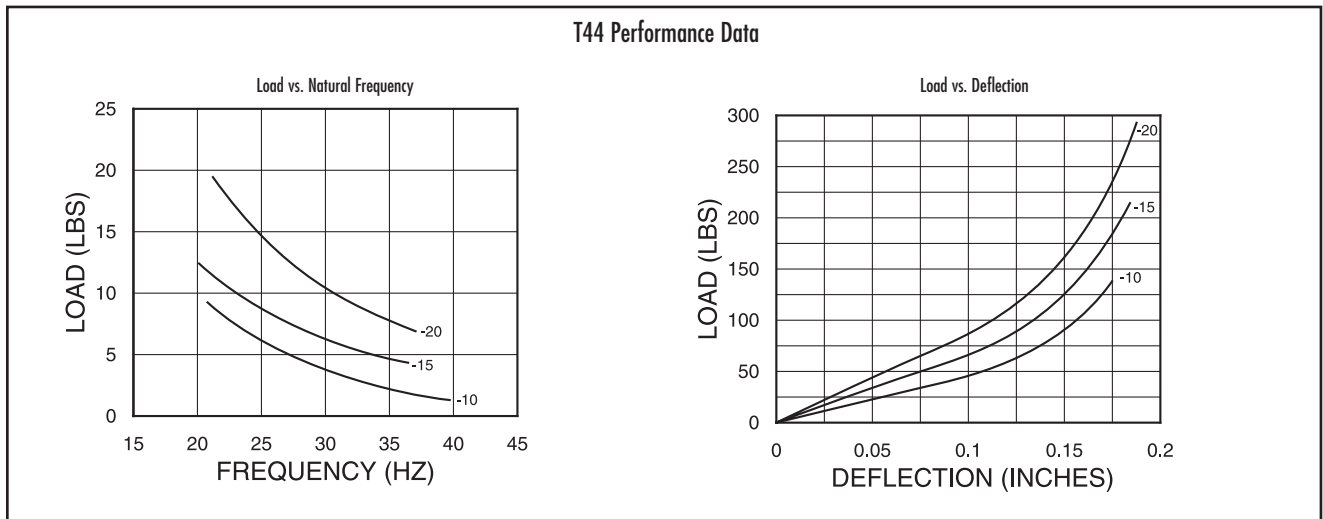
T-MOUNT SERIES: T44

Dimensions & Performance Characteristics



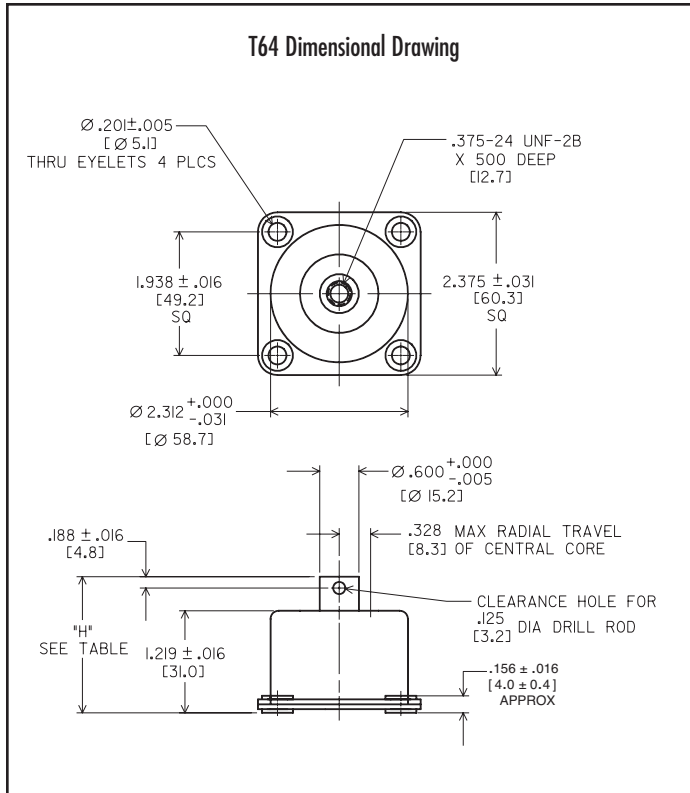
T44 SERIES "H" DIMENSION	
Compressed	1.19
Approx. Free	1.50
Max. Extended	1.88

T44 SERIES LOAD RANGE DATA	
Part #	Max. Load/Isolator
T44-AB-10	10 lbs.
T44-AB-15	15 lbs.
T44-AB-20	20 lbs.



T-MOUNT SERIES: T64

Dimensions & Performance Characteristics



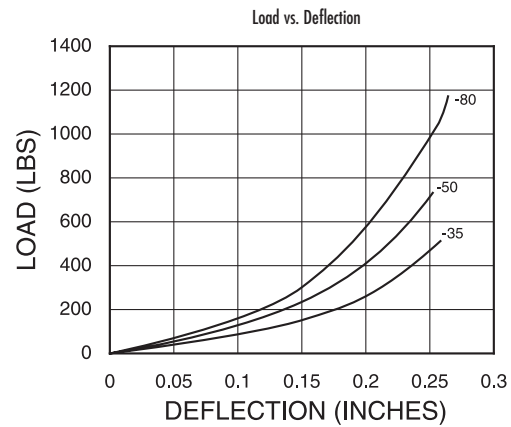
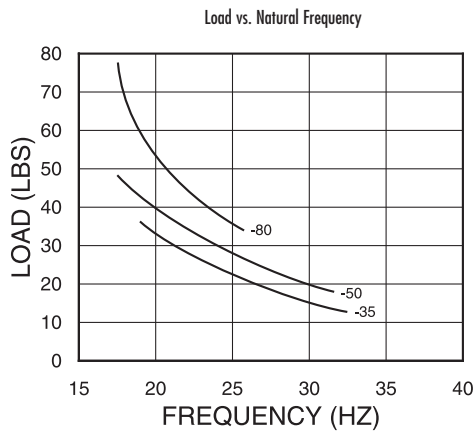
T64 SERIES "H" DIMENSION

Compressed	1.25
Approx. Free	1.62
Max. Extended	1.94

T64 SERIES LOAD RANGE DATA

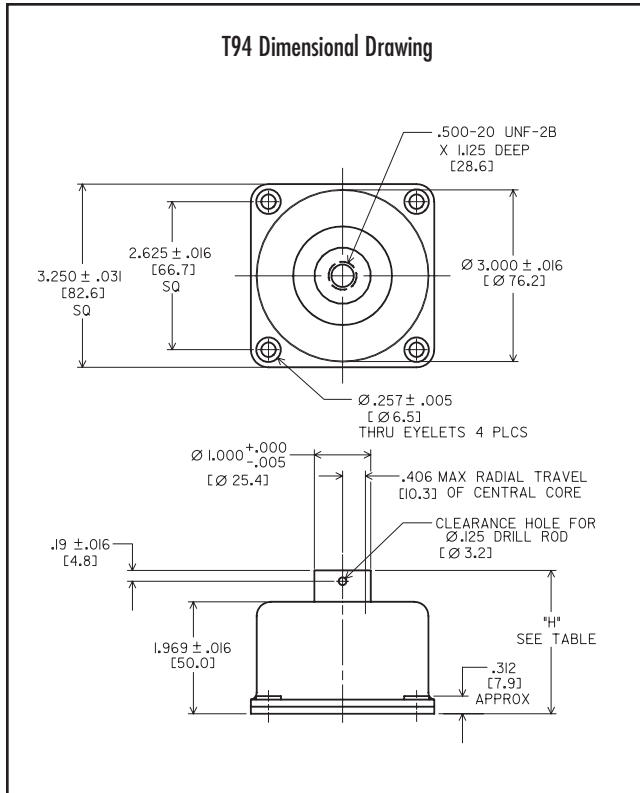
Part #	Max. Load/Isolator
T64-AB-35	35 lbs.
T64-AB-50	50 lbs.
T64-AB-80	80 lbs.

T64 Performance Data



T-MOUNT SERIES: T94

Dimensions & Performance Characteristics



T94 SERIES "H" DIMENSION	
Compressed	2.13
Approx. Free	2.54
Max. Extended	3.06

T94 SERIES LOAD RANGE DATA	
Part #	Max. Load/Isolator
T94-AB-110	110 lbs.
T94-AB-150	150 lbs.

